

***Argo 6x6***  
***Frontier 650***

***Argo 6x6***  
***Frontier 580***

***Argo 6x6***  
***Frontier 480***



***Argo 6x6***

***Frontier***  
**PARTS MANUAL**

From Serial # ...15862

# Foreword

ODG has prepared this parts manual for the FRONTIER model to assist both qualified mechanics and vehicle owners in ordering correct, quality replacement ARGO parts. For the most current parts manual visit our website at [www.argoatv.com](http://www.argoatv.com).

Proper and regular service, and replacing old, worn or broken parts with the correct ARGO replacement parts, are both essential to prolonging the life of the ARGO. Please refer to this parts manual and/or our website [www.argoatv.com](http://www.argoatv.com) before ordering any replacement part.

All information contained in this FRONTIER Parts Manual is based on the latest product specification available at time of printing. If your FRONTIER differs from the specifications contained in this manual, check our website [www.argoatv.com](http://www.argoatv.com) for the most current information.

ODG reserves the right to alter specifications on the FRONTIER model at any time, without obligation or prior notification.

Reproduction of this FRONTIER Parts Manual, in whole or in part, is prohibited without prior written permission from Ontario Drive & Gear Limited.

## Vehicle Identification

**FRONTIER** - Serial Nos. ...15862

## Explanation of Parts Manual Format

- Ref** - Reference number between assembly diagram and component parts list
- Part No.** - Argo replacement part number for identification and re-ordering
- Description** - Part description for identification and re-ordering
- Qty** - Indicates the quantity of a part used in an assembly

**Argo 6x6**  
**Frontier 650**

**Argo 6x6**  
**Frontier 580**

**Argo 6x6**  
**Frontier 480**

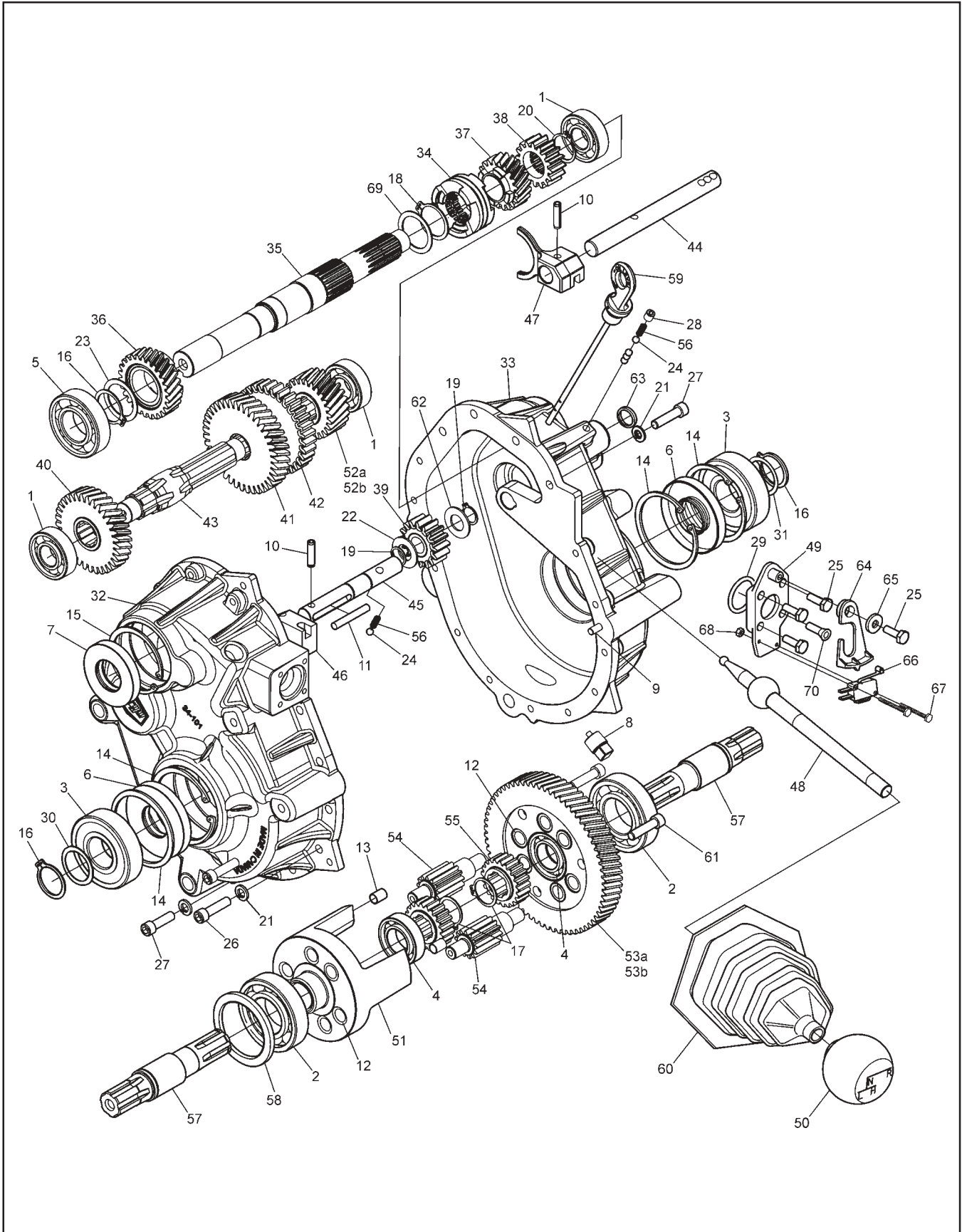


### Using the Parts Manual

1. Find the major vehicle assembly in the Table of Contents on this page, and turn to that section.
2. Locate the part in the illustration that you wish to order.
3. Refer to the parts list in that section.
4. Find the correct part number (Part No.), part description (Description) and correct quantity (Qty).
5. Use *only* this information to order ARGO replacement parts. *DO NOT* attempt to order a replacement part by reference number or page number.

### Table of Contents

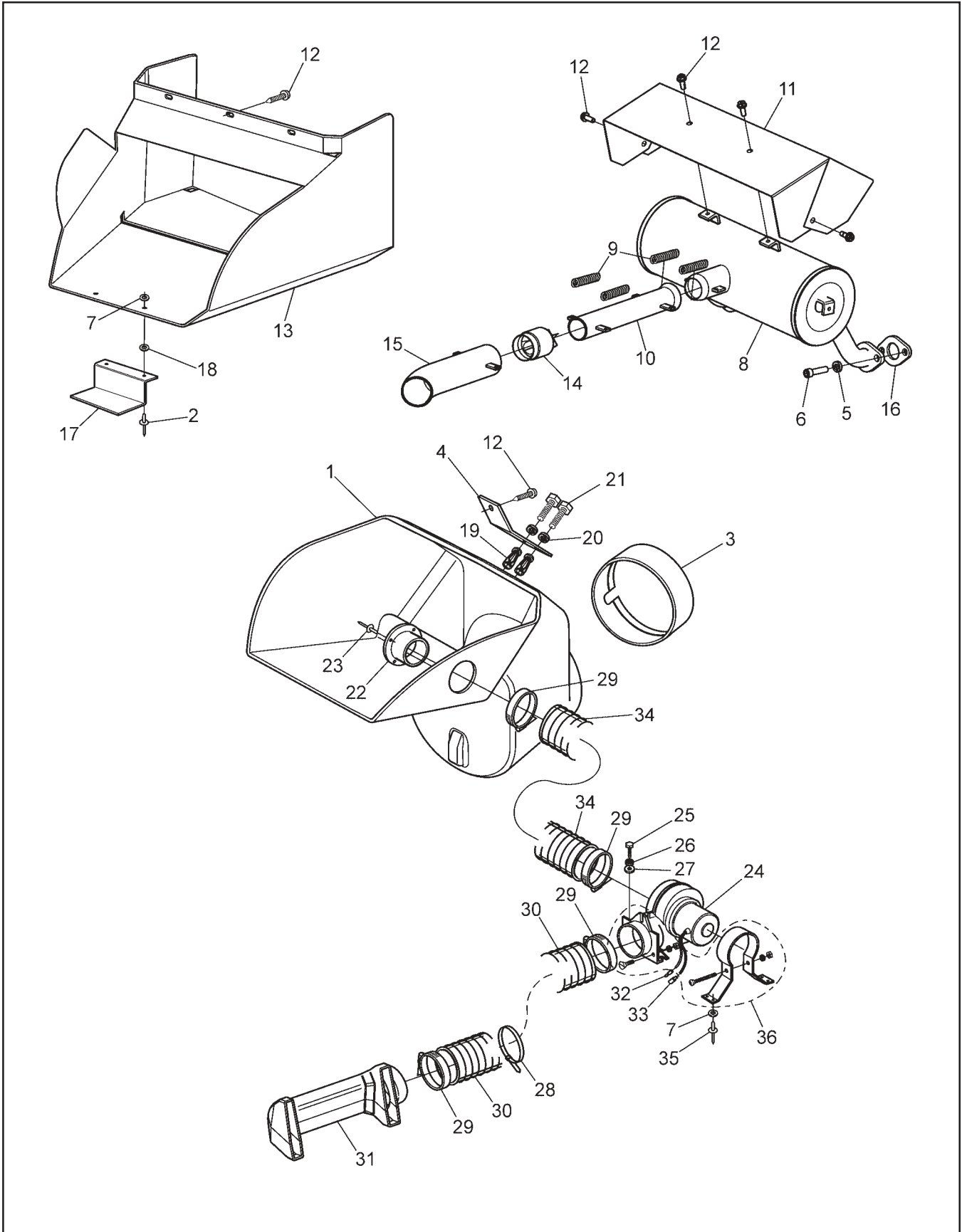
Foreword .....	i
Vehicle Identification .....	i
Using the Parts Manual .....	ii
1.0 Transmission .....	1
2.0 Intake and Exhaust System .....	3
3.0 Clutch System .....	5
4.0 Power Pack Assembly .....	7
5.0 Steering & Brake System .....	9
6.0 Parking Brake .....	11
7.0 Vehicle Body & Firewall .....	13
8.0 Frame & Drive System .....	15
9.0 Fuel System & Seat Assembly .....	17
10.0 Electrical System .....	19



# 6x6 Frontier Parts Manual

# 1.0 Transmission

Ref.	Qty.	Part #	Description	Ref.	Qty.	Part #	Description
	1	34-100	Transmission Assembly	39	1	34-108	Gear, Idler - Rev - 10DP
	1	34-100-3.3	Transmission Assembly				16T
1	3	101-01	Bearing, Ball 6204Z-C3	40	1	34-109	Gear, Helical - HI 12DP 33T
2	2	101-03	Bearing, Ball 6207-C3	41	1	34-110	Gear, Helical - LOW 12DP
3	2	101-05	Bearing, Ball 6306LLU-C3/2A				39T
4	2	101-15	Bearing, Ball 6005-C3	42	1	34-111	Gear, Reverse - 10DP 33T
5	1	101-16	Bearing, Ball 6206-C3	43	1	34-112	Shaft, Spline
6	2	102-03	Seal,Oil WBS 30x72x10 NB	44	1	34-113	Shaft, Shift - Forward
			D/LIP	45	1	34-114	Shaft, Shift - Reverse
7	1	102-05	Seal,Oil WBS 30x62x10 NB	46	1	34-115	Block, Shift
			D/LIP	47	1	34-116	Fork, Shift
8	1	103-02	Plug, Magnetic 3/8-18NPT	48	1	34-117	Lever, Shift
			SQ.HD	49	1	34-131	Plate, Shifter
9	2	104-03	Pin, Dowel 1/4x7/8	50	1	34-121	Knob, Shift - w/Argo Logo
10	2	104-39	Pin, Spring - 1/4 x 1.0	51	1	34-122	Cage, Differential
11	1	104-40	Pin, Dowel - 1/4 x 1.75	52a	1	34-123	Pinion, Helical - 25T - 2.6
12	12	105-03	Bushing, Oilite - 1/2x3/4	52b	1	34-125	Pinion, Helical - 21T - 3.3
13	3	105-23	Bushing, Dowel - .312 x .5	53a	1	34-124	Gear Plate - 66T - 2.6
14	4	106-03	Retaining Ring HO-281PA	53b	1	34-126	Gear Plate - 70T - 3.3
15	1	106-05	Retaining Ring HO-244-PA	54	6	34-13	Gear, Planet - 12T
16	3	107-02	Retaining Ring SH-0118-PA	55	2	34-14	Gear, Sun - 21T
17	2	107-04	Retaining Ring SH-0098-PA	56	2	34-32	Spring, Comp. 0.22x.50
18	1	107-14	Retaining Ring LC-125-PA	57	2	34-98	Shaft, Output - Splined
19	2	107-11	Retaining Ring	58	1	114-01	Washer, Shim 2.25 x 2.81 x
20	1	107-15	Retaining Ring SHR-098-PA				.02
21	15	108-05	Lockwasher 5/16 Split Ring Zn	59	1	CE-035	Dipstick - with Breather -
22	1	108-78	Washer, Thrust				190mm
23	1	108-79	Washer, Thrust	60	1	609-38	Boot, Shifter
24	5	109-05	Ball, Steel 6mm 62-67 Rc	61	3	112-64	SHCS, 5/16-18 x 1.25
25	4	112-04	HHCS 1/4-20x3/4 Gr2 Zn	62	1	108-81	Washer, Retaining Thrust
26	14	112-143	SHCS 5/16 x 1.25 Zn	63	1	113-16	O-Ring #AS568-014-70BN
27	1	112-144	SHCS 5/16 x 1.0 Zn				5/8"OD x 1/2"ID x 1/16" Thk
28	1	112-145	SHSS 5/16 - 18 X 3/8	64	1	34-132	Follower, Neutral Start
29	1	113-11	O-Ring #AS568-216-70BN	65	1	108-08	Washer, .28 x .62 x .07 Zn
30	1	114-04	Washer, Shim 1.19x1.50x.04	66	1	809-202	Switch, Limit - Two Pole
31	1	114-05	Washer, Shim 1.19x1.50x.02	67	2	112-169	HHCS, M3 x 0,5 x 20mm Zn
32	1	34-101	Housing, Transmission - L	68	2	117-78	Locknut, Nylon M3 x 0.5 Zn
33	1	34-102	Housing, Transmission - R	69	1	108-85	Washer, Retaining Thrust
34	1	34-127	Clutch, Dog	70	1	112-171	FHSC 1/4-20 x 3/4 Gr2 Zn
35	1	34-130	Shaft, Input - 19/15T Spline				
36	1	34-128	Pinion, Helical - HI 12DP 26T				
37	1	34-129	Pinion, Helical - LO 12DP 20T				
38	1	34-107	Pinion, Reverse - 10DP 16T				



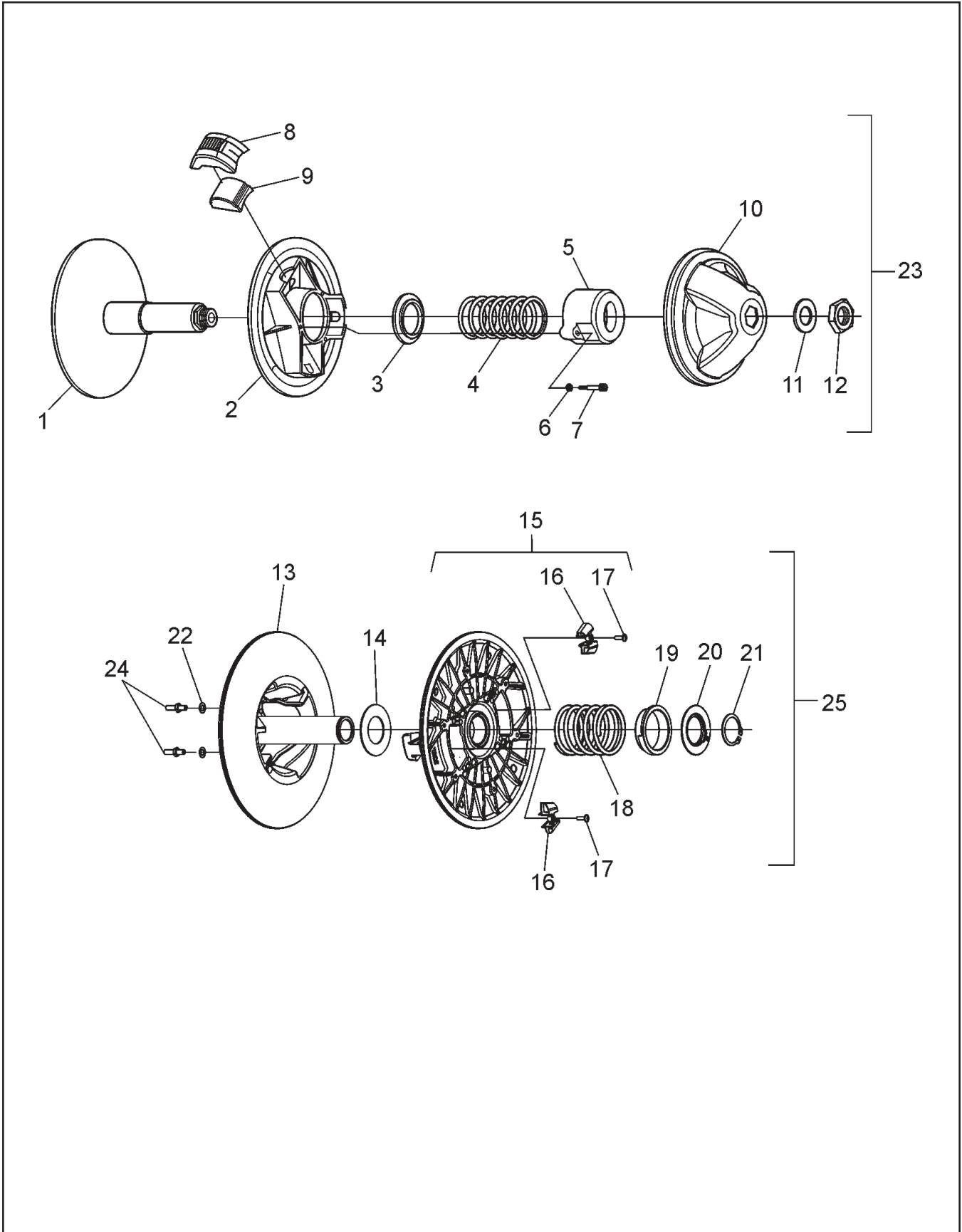
## 6x6 Frontier Parts Manual 2.0 Intake and Exhaust System

Ref.	Qty.	Part #	Description
1	1	809-07	Duct, Intake - Frontier
2	2	120-31	Rivet, 3/16 x 1/4". Open End
3	1	603-82	Seal, Argo Air Intake Duct - 580/650
	1	610-123	Seal, Intake Duct, Argo 480
4	1	809-08	Bracket, Intake Duct
5	4	108-02	Lockwasher 5/16 Hi-Collar Bare
6	4	112-30	SHCS M8 x 1,25 x 20mm Zn
7	6	120-04	Washer, .19 x .50 x .08 Zn
8	1	807-135	Muffler, B&S 23HP Ass'y - 650
	1	807-137	Muffler, B&S 16HP Ass'y - 480/580
9	4	126-57	Spring, Extension - 7/16 x 2.14
10	1	607-125	Tube Ass'y, Muffler, Flared - 650
	1	807-92	Pipe, Muffler Tail - B&S - 480/580
11	1	807-85	Shield, Heat - Muffler
12	8	112-19	Screw, IHWH T/C Slot 1/4-20 x 1/2
13	1	607-129	Duct, Exhaust
14	1	607-126	Spark Arrester, 1.75 Dia. - 650
	1	807-67	Spark Arrester
15	1	607-117	Pipe, Tail - Asm - 650
	1	807-89	Tube, Tailpipe Outlet
16	2	24 041 49	Gasket, Exhaust Manifold
17	1	707-45	Support, Exhaust Duct
18	2	125-58	Washer, Fibre - W-77F
19	2	117-53	Nut, Jack 1/4-20 8L-JNS Zn
20	2	108-03	Lockwasher 1/4 Split Ring Zn
21	2	103-97	HHCS 1/4-20 x 1.25 Gr5 Zn
22	1	127-171	Adapter, 3" Hose*
23	4	120-11	Rivet, 5/32 x 9/16 Black*
24	1	125-91	Blower Fan*
25	4	103-47	HHCS, #10-24 x 1/2*
26	4	120-05	Washer, .19 x .50 x .04*
27	4	108-59	Lockwasher #10 Int. Tooth*
28	1	100-102	Tie Wrap, 14" - White*
29	4	125-35	Clamp, Gear 3.50" HF-52*
30	1	127-139	Hose, Brake Fan Discharge
31	1	127-134	Duct, Brake Cooling*
32	1	118-02	Terminal, Male #76-1251*
33	1	118-03	Terminal, Female #76-1289*
34	1	127-140	Hose, Brake Fan Inlet*
35	4	120-09	Rivet, 3/16 x 1.0 Black*
36		125-92	Adpt. & Mounting Kit* - includes the following:
	1		Mounting Bracket
	1		Nut, #10-32
	1		Lockwasher, 3/16"
	1		Screw, #10-32x2"
	2		Nut, 1/4-20
	2		Lockwasher, 1/4"
	2		Screw, 1/4-20x5/8"
	1		Adaptor, 3" dia.
			* If equipped



# 3.0 Clutch System

# 6x6 Frontier Parts Manual

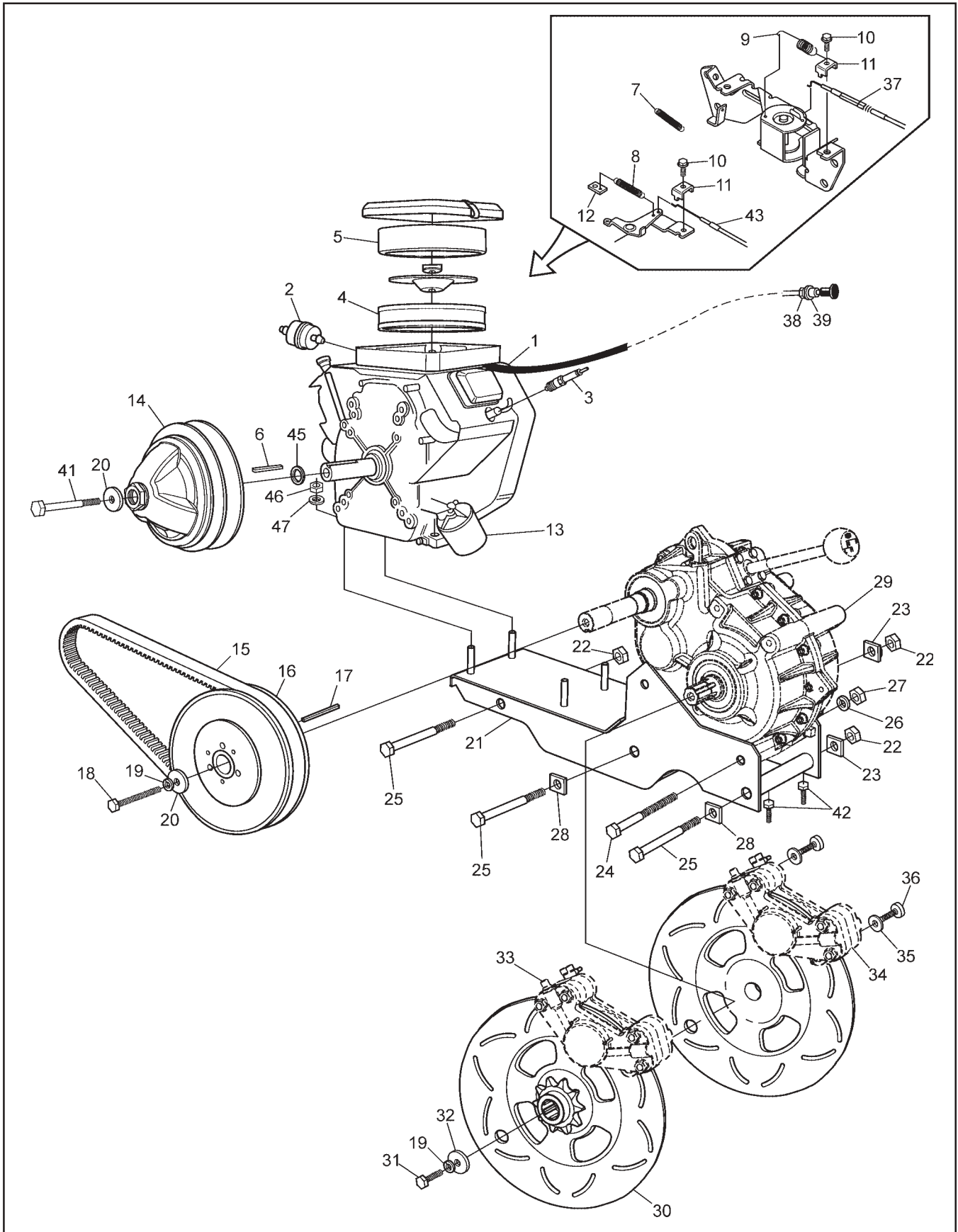




Ref.	Qty.	Part #	Description
1	1	0405-0075	Flange, Fixed
2	1	0410-0026	Flange, Sliding
3	1	0150-1014	Spring Guide Washer
4	1	0451-1114	Spring
5	1	0440-0005	Spring Cover
6	3	0080-0167	Lockwasher
7	3	0080-0021	Screw, Cap
8	3	0130-3009	Block
9	3	0135-3065	Weight (275gr)
10	1	0115-0047	Cap
11	1	0080-0153	Washer, Zn
12	1	0080-0100	Nut
13	1	5905-0003	Flange, Fixed
14	1	0080-0164	Washer, Shim
15	1	5910-0002	Flange, Sliding
16	3	5930-3001	Cam Shoe
17	2	0080-0031	Screw
18	1	5951-1009	Spring
19	1	5950-3003	Spring Protector
20	1	5950-3002	Spring Support
21	1	0080-0216	Retaining Ring, Outside
22	2	0080-0167	Lockwasher
23	1	127-163	Clutch, Driver - Argo 6x6 480/580
	1	127-135	Clutch, Driver - Argo 6x6 650
24	2	0080-0035	Screw & Nut Ass'y
25	1	127-156	Clutch, Driven - INVANCE

# 4.0 Power Pack Assembly

# 6x6 Frontier Parts Manual

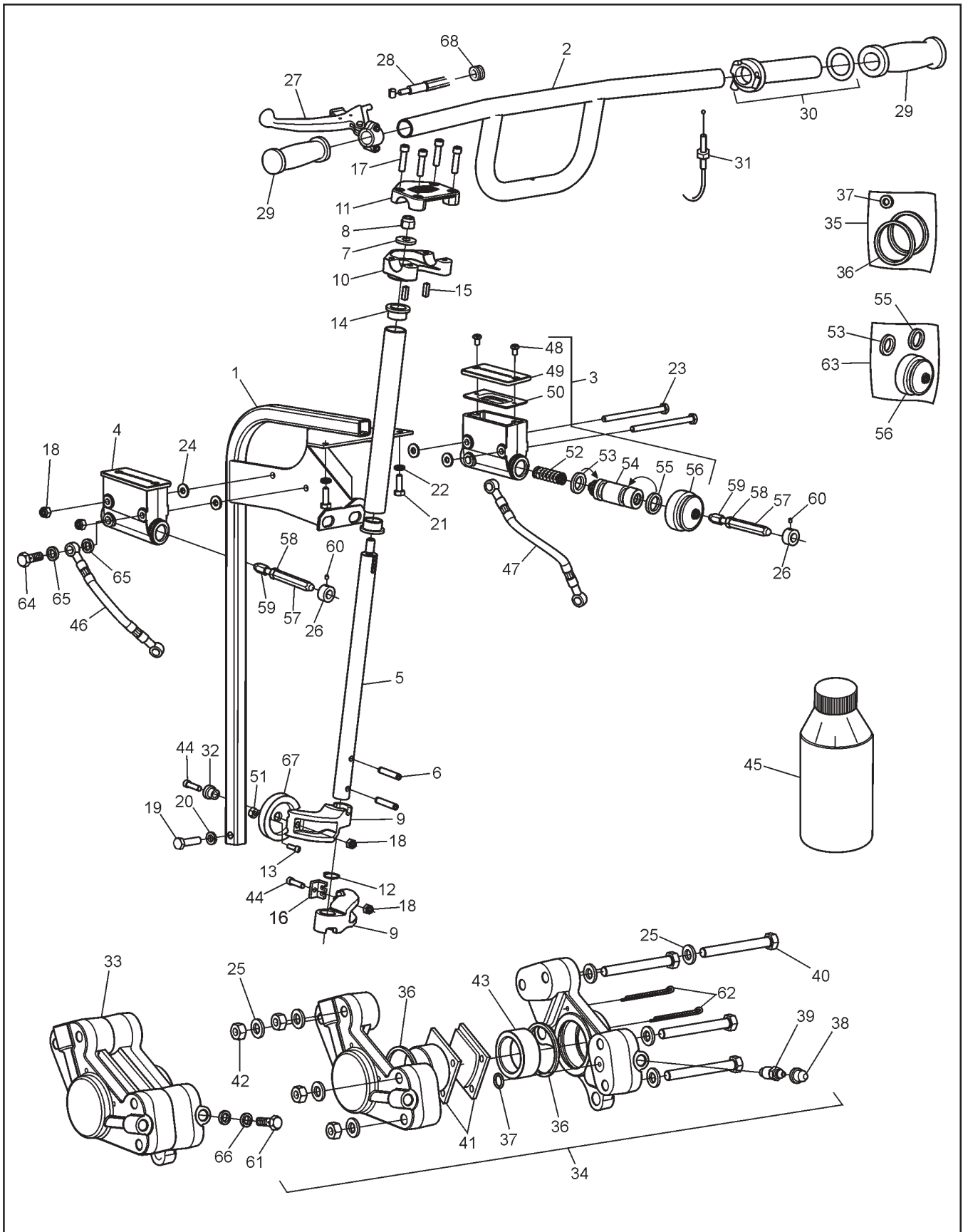


## 6x6 Frontier Parts Manual

## 4.0 Power Pack Assembly

Ref.	Qty.	Part #	Description
1	1	128-25	Engine - B&S 14HP, 20 amp incl. Ref. 2-13 B&S #295447-0141E1
		128-15	Engine - B&S 18HP, 20/50 amp incl. Ref. 2-13 B&S #356447-0165-E1
		128-20	Engine - B&S 23HP, 20/50 amp incl. Ref. 2-13 B&S #386447-0144-E1
2	1	125-64	Fuel Filter, G81-4
3	2	126-74	Spark Plug #3926
4	1	2724905	Filter, Air
5	1	692520	Element, Foam - 23HP
	1	3940185	Element, Foam - 14HP & 18HP
6	1	110-18	Key 1/4 x 1/4 x 1.75 RC45
7	1	805458	Spring
8	1	125-88	Spring, Return
9	1	127-49	Spring, Return
10	2	805169	Screw-Hex Head (Briggs #)
11	2	221535	Clamp - Casing (Briggs #)
12	1	601-86	Clip, Retainer
13	1	126-95	Filter, Oil
14			<b>See Section 3.0 Clutch System</b>
15	1	127-159	Drive Belt - Frontier - 11.3" Cen. Dist
16			<b>See Section 3.0 Clutch System</b>
17	1	110-03	Key 1/4 x 3/16 x 2.375 RC46
18	1	112-164	HHCS 3/8-16 x 3.50 Gr5 Zn
19	3	108-06	Lockwasher 3/8 Split Ring Zn
20	2	108-46	Washer .40 x 1.37 x 1.2 Hi- Carbon
21	1	604-118	Frame Ass'y - Power Pack
22	3	117-83	Locknut, Stover 5/8-11 Zn
23	2	811-09	Washer, Square - .64 ID
24	2	103-20	HHCS 1/2-13 x 6.5 Gr5 Zn
25	3	112-58	HHCS 5/8-11 x 7.5 Gr5 Zn
26	2	108-07	Lockwasher 1/2 Split Ring Zn
27	2	117-06	Nut, Fin Hex 1/2-13 Zn
28	2	811-15	Washer, Square Lock .64 ID
29			<b>See Section 1.0 Transmission</b>
30	2	606-74	Disc, Brake-Splined #60-10T

Ref.	Qty.	Part #	Description
31	2	103-18	HHCS 3/8-24 x 1.25 Gr5 Zn
32	2	108-18	Washer .40 x 1.37 x .12 Zn
33			<b>See Section 5.0 Steering &amp; Brake System</b>
34			<b>See Section 5.0 Steering &amp; Brake System</b>
35	4	108-23	Washer .42 x .81 x .06 Gr8 Zn
36	4	103-41	SHCS 3/8-16 x 1.25 Zn
37	1	612-101	Cable Asm, Throttle
38	2	117-68	Nut, Jam 3/8-24 UNF Zn
39	1	108-32	Lockwasher 3/8 Int. Tooth
41	1	112-28	HHCS, 3/8-24 x 4.5" Lg - 480/580
	1	112-160	HHCS, 7/16-20 x 5" Lg - 650
42	2	103-53	HHCS 3/8-16 x 3.0 Full Thread
43	1	612-130	Cable Asm, Choke
45	1	108-84	Washer, Engine, Clutch 650
	1	108-87	Washer, Engine, Clutch, 1.00 - 480/580
46	4	117-21	Locknut, Nylon 5/16-18 Zn
47	4	108-24	Washer .34 x 1.00 x .06 Zn



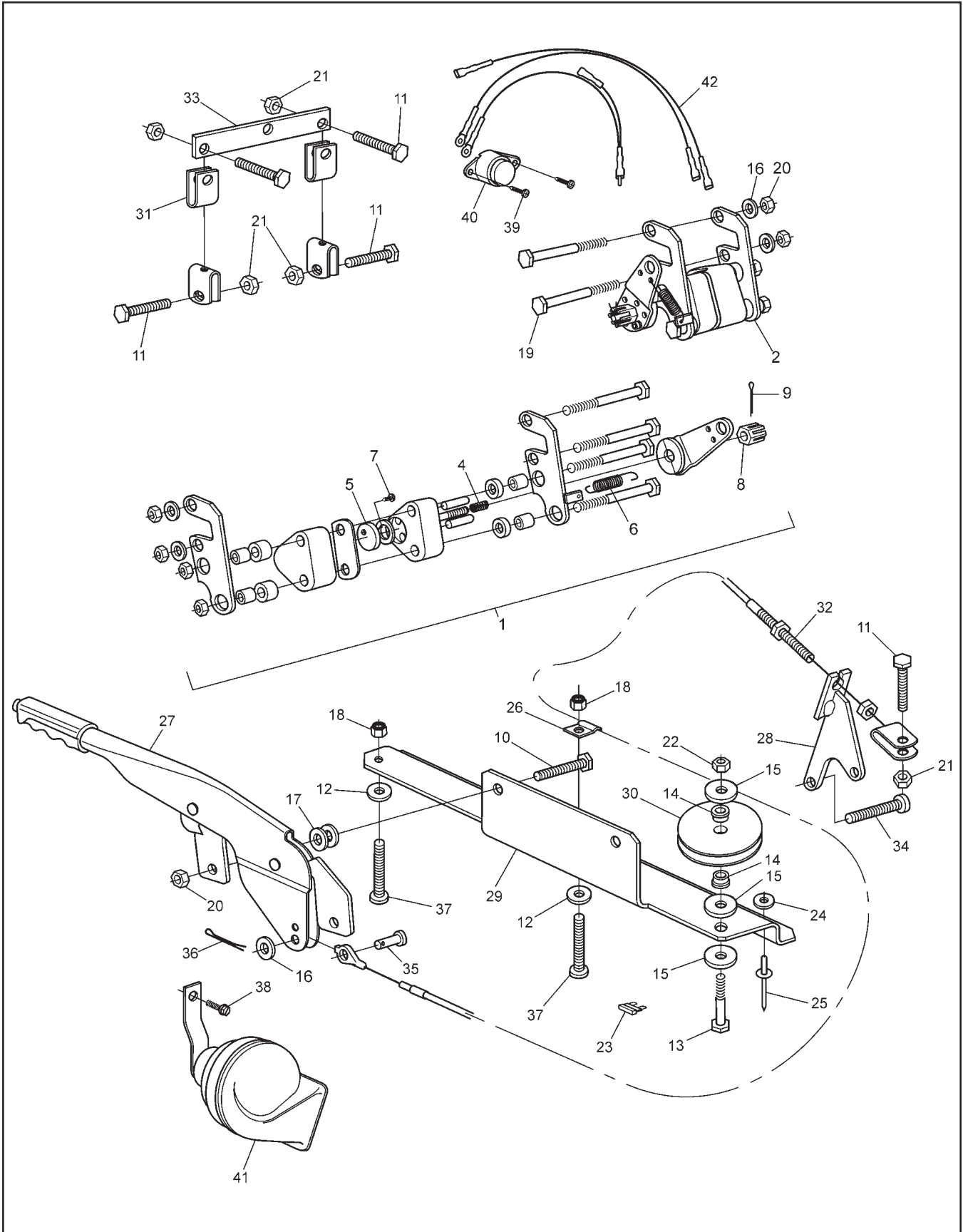
## 6x6 Frontier Parts Manual

## 5.0 Steering & Brake System

Ref.	Qty.	Part #	Description	Ref.	Qty.	Part #	Description
1	1	612-129	Frame Assembly, Steering Column	42	2x4	117-03	Nut, Fin Hex 5/16-18 Zn
2	1	612-107	Handlebar Assembly	43	2x2	168-01	Piston, Knott Caliper
3	1	165-08	Master Cylinder, Grimeca - R	44	2	112-159	BHCS, 1/4-20 x 1.0, Plated
4	1	165-07	Master Cylinder, Grimeca - L	45		126-19	Fluid, Brake-Silicon Dot 5 - .35L
5	1	612-127	Shaft, Steering - Argo	46	1	163-05	Hose Asm, Hydraulic - Left
6	2	104-42	Pin, Spring 1/4 x 1.5"	47	1	163-06	Hose Asm, Hydraulic - Right
7	1	108-47	Washer, .39 x .94 x .13 Zn Di-chr	48	2x2	160-42	Screw, FHMS M5 x 0,8 x 6mm
8	1	117-29	Locknut, Nylon 3/8-16 Zn	49	2x1	168-08	Cover
9	2	612-124	Arm, Steering	50	2x1	168-09	Cover, Rubber
10	1	612-106	Clamp, Lower Handlebar	51	1	117-10	Locknut, 10-24 N/I Zn
11	1	612-105	Clamp, Upper Handlebar	52	2x1	162-08	Spring, Comp. 17.3 x 49.3mm
12	1	106-07	Ring, Retaining SH-0075PA	53	2x1		Seal, Primary, 19mm (See Ref. 63)
13	1	160-46	SHCS, #10-24 x 3/8"	54	2x1	168-10	Piston 19mm dia.
14	2	105-16	Bushing, Oilite - 3/4 x 1/2	55	2x1		Seal, Secondary, 19mm (See Ref. 63)
15	2	110-17	Key, 3/16 x 3/16 x .625	56	2x1		Boot, Rubber (See Ref. 63)
16	1	128-24	Retainer, Handbrake Cable	57	2	812-30	Pin, Female
17	4	112-47	SHCS, 1/4-20 x 1.0 Zn	58	2	117-03	Nut, Fin Hex 1/4-20 Zn
18	4	117-27	Locknut, Nylon 1/4-20 Zn	59	2	812-31	Fin, Male
19	1	103-38	HHCS 5/16-18 x 1.25 Gr5 Zn	60	2	112-02	SHSS 10-24x1/4 Knurl Cup PT, PL
20	1	108-05	Lockwasher 5/16 Split-Ring Zn	61	2	160-45	Bolt, Banjo
21	2	112-04	HHCS 1/4-20 x 3/4 Gr2 Zn	62	2x2	168-07	Pin, Cotter 1/8 x 3.00 Zn
22	2	108-03	Lockwasher 1/4 Split Ring Zn	63	2x1	161-25	O-Ring Kit - Master Cylinder - Grimeca (incl. Ref. 53, 55 & 56)
23	2	103-66	HHCS, 1/4-20 x 4.0 Gr5 Zn	64	2	160-44	Bolt, Banjo - M10 x 1,0 x 21,0
24	4	108-08	Washer, .28 x .62 x .04 Zn	65	4	160-01	Washer, Copper - 1,5 x 10,0 x 14,0
25	2x8	108-24	Washer, .34 x .70 x .06 Zn	66	4	160-04	Washer, Copper 2.3 x 10.0 x 16.0
26	2	812-17	Collar	67	1	165-18	Pulley, Handbrake Cable
27	1	128-17	Lever Assembly, Handbrake, Spring	68	1	125-84	Grommet, Rubber
28	1	128-21	Cable Assembly, Handbrake				
29	2	127-35	Grip, Molded				
30	1	127-81	Throttle Twist Grip				
31	1	612-101	Cable Asm., Throttle				
32	1	105-25	Bushing, Flange Oilite FF-310				
33	1	166-10	Caliper, Hydraulic Brake - L w/o pads				
34	1	166-11	Caliper, Hydraulic Brake - R w/o pads				
35	2	161-05	O-ring Kit, Knott Caliper				
36	2		Seal, Piston				
37	2		Seal, Rubber				
38	2x1	168-20	Plug, Rubber				
39	2x1	168-02	Screw, Bleeding, Knott Caliper				
40	2x4	112-154	SHCS, 5/16-18 x 2.75 Zn				
41	1	170-03	Pad Set (4), Brake - Non-Asbestos				

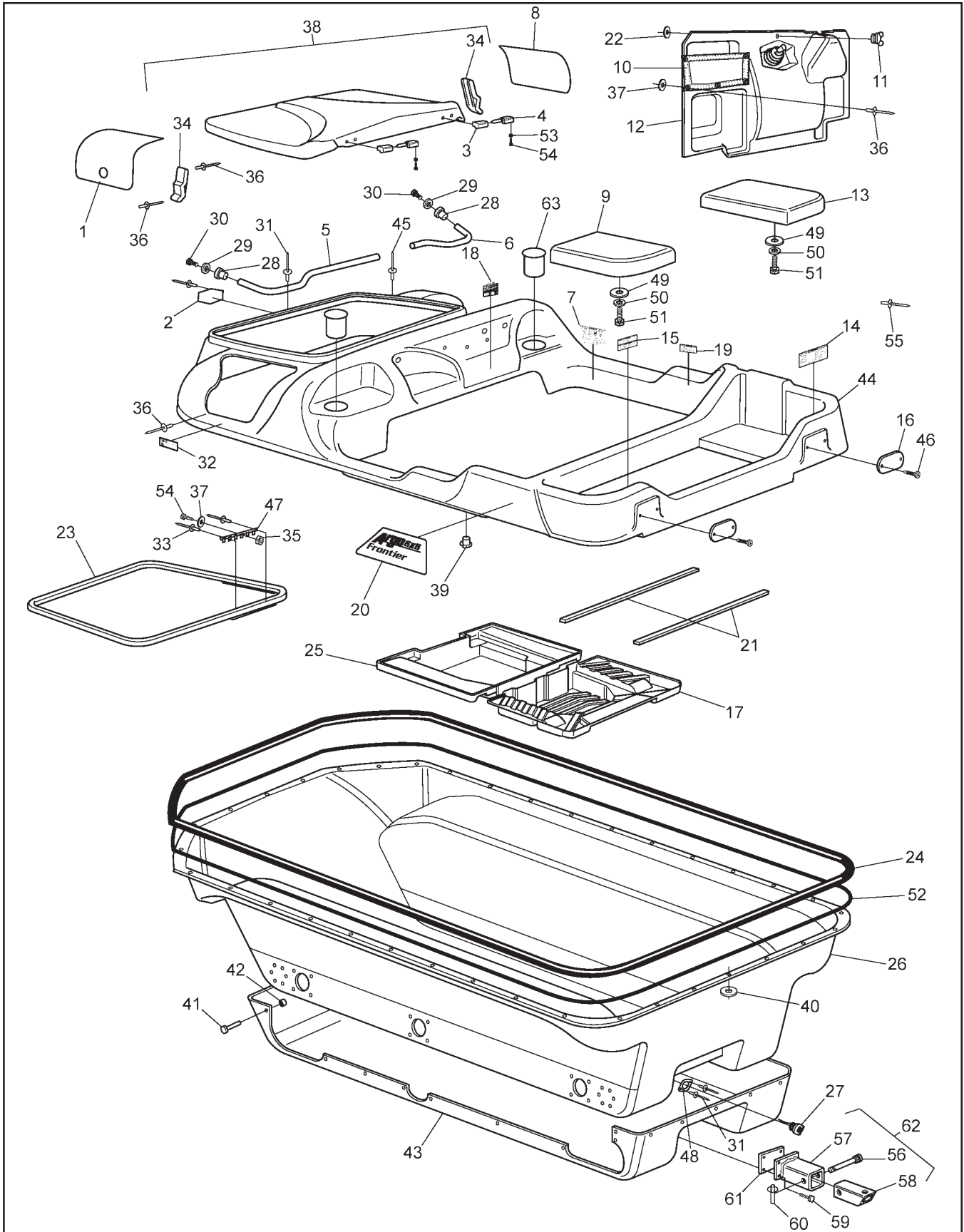
# 6.0 Parking Brake

# 6x6 Frontier Parts Manual



Ref.	Qty.	Part #	Description
1	1	850-96	Caliper Ass'y, LH, Parking Brake
2	1	850-97	Caliper Ass'y, RH, Parking Brake
3	1	850-98	Kit, Service, Parking Brake includes Ref. 4 - 9
4	1		Cam Tension Spring (compression)
5	1		Left & Right Brake Pads
6	1		Cam Arm Spring (tension)
7	1		Brake Pad Retaining Screw
8	1		Castle Nut
9	1		Cotter Pin
10	2	103-06	HHCS 5/16-18 x 1.0 Gr5 Zn
11	5	103-08	HHCS 1/4-20 x 1.0 Zn
12	2	108-42	Washer .21 x 1.0 x .06 Zn
13	1	103-82	HHCS 3/8-16 x 1.5 Gr5 Zn
14	2	105-18	Bushing, Oilite - 3/8 x 1/4
15	3	108-15	Washer .42 x .81 x .05 Zn
16	21	108-24	Washer .34 x .70 x .06 Zn
17	4	108-47	Washer .39 x .94 x .13 Zn Di-Chro
18	2	117-10	Locknut, 10-24 N/I Zn
19	4	112-132	HHCS 5/16-18 x 3.25 Gr5 Zn
20	6	117-21	Locknut, Nylon 5/16-18 Zn
21	5	117-27	Locknut, Nylon 1/4-20 Zn
22	1	117-29	Locknut, Nylon 3/8-16 Zn
23	1	118-52	Fuse, 10A 2-Prong (AT010)
24	4	120-04	Washer .19 x .50 x .08 Zn
25	4	120-09	Rivet - 3/16 x 1.0 Black
26	1	128-13	Clip, Conduit-Anti
27	1	809-147	Lever, Parking Brake
28	1	850-72	Bracket Asm, Parking/Brake
29	1	850-78	Bracket, Parking Lever
30	1	850-79	Pulley, Parking Brake Cable
31	2	850-80	Cable, Parking Brake Equalizer
32	1	850-81	Cable, Parking Brake
33	1	850-82	Flat Bar, Equalizer
34	1	112-143/P1	SHCS 5/16 x 1.25 Zn
35	1	104-27	Pin, Clevis 5/16 x .75" Zn
36	1	100-100	Pin, Cotter 1/8 x 3/4 Zn
37	2	112-07	RHMS 10-24 x 1.50 Zn
38	1	112-19	Screw, IHWH T/C Slot 1/4-20 x 1/2 (if equipped)
39	2	112-56	T/S Pan Head Phil #10 x 3/4 A Zn (if equipped)
40	1	848-86	Button, Horn (if equipped)
41	1	848-87	Horn, Electric (if equipped)
42	1	848-88	Wire Harness, Horn (if equipped)

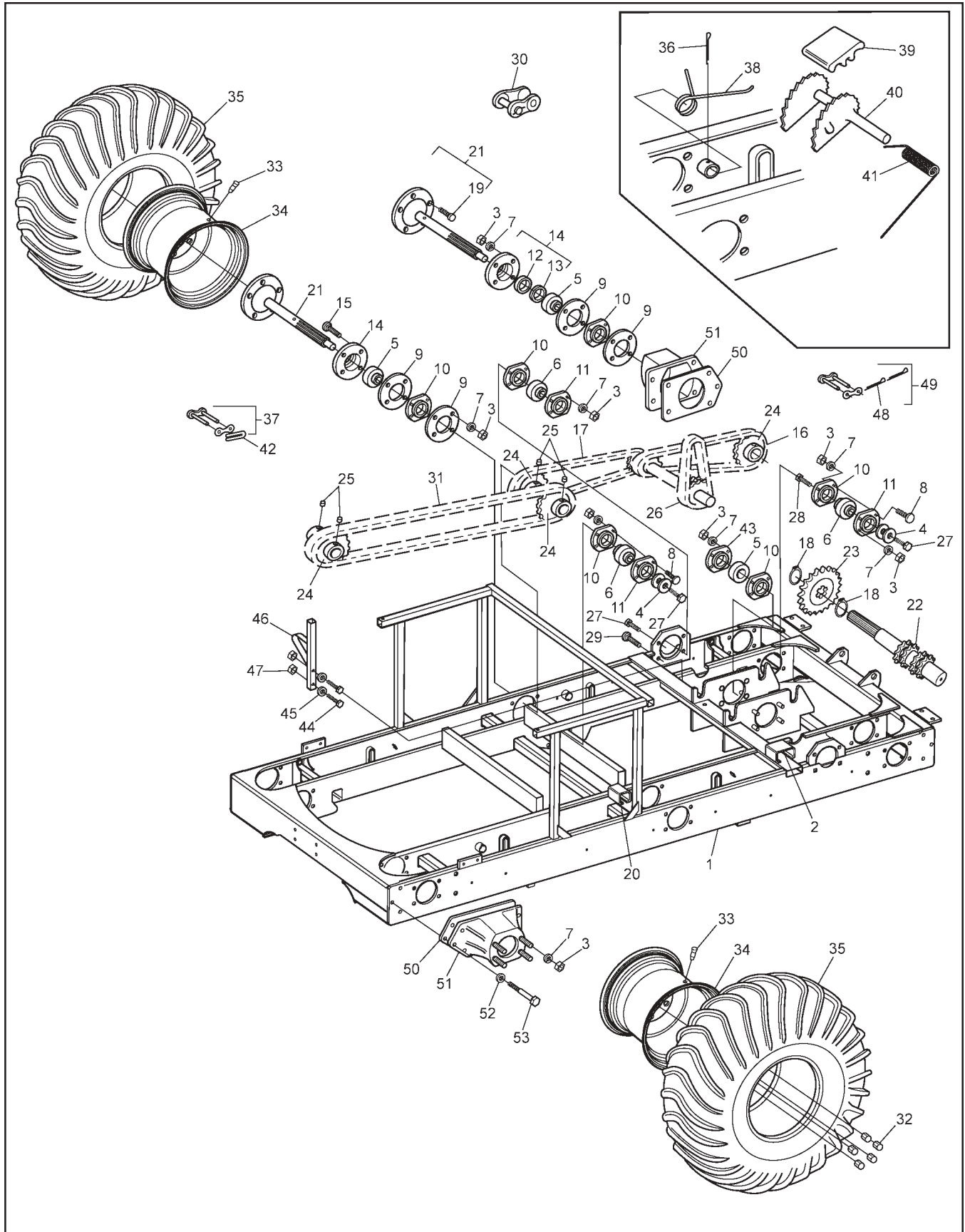




## 6x6 Frontier Parts Manual

## 7.0 Vehicle Body & Firewall

Ref.	Qty.	Part #	Description	Ref.	Qty.	Part #	Description
1	1	707-43	Screen - Exhaust	39	2	117-44	T- Nut 1/4-20 Zn
2	1	601-44	Nameplate, "Argo"	40	84	120-04	Washer .19 x .50 x .08 Zn
3	2	127-45B	Knuckle, Hinge	41	26	120-27	Pin, Magna Grip (if equipped)
4	2	127-45A	Pin, Hinge	42	26	120-28	Collar, Magna Grip (if equipped)
5	1	601-103	Tube, Dash Handle, Pass.Side	43	1	603-98	Skid Plate, 6x6 - Black (if equipped)
6	1	601-104	Tube, Dash Handle, Driver Side	44	1	601-105	Body & Hood, Upper - Frontier (spec. colour) (incl. 23, 33, 38)
7	1	126-68	Plate, Operation	45	109	120-09	Rivet 3/16 x 1 - Black
8	1	707-42	Screen, Intake	46	4	103-48	T/S Pan HD PHIL #10 x 5/8
9	1	601-03	Seat, Rear - Left - 6x6 - Black	47	1	613-37	Terminal Strip, Ground
10	1	100-108	Mesh, Glove Box	48	2	100-114	Gasket, Drain Plug
11	1	126-10	Wing Stud	49	2	603-15	Washer, Plastic 5/16 Hole
12	1	803-60	Firewall	50	2	108-01	Washer, Fender 1/4 BS x 1.25 OD
13	1	601-02	Seat, Rear - Right - 6x6 - Black	51	2	103-08	HHCS 1/4-20 x 1.0 Zn
14	1	126-67	Plate, Floor Pan	52	1	126-60	Vinyl Strip, 1/2" x 1/4" x 37.5'
15	1	127-148	Plate, Vehicle Capacity	53	8	108-59	Lockwasher #10 Int. Tooth Zn
16	2	127-01	Reflector, Red	54	9	103-47	HHCS 10-24 x 1/2
17	1	803-61	Floor Pan, Rear - Frontier	55	38	120-24	Rivet, 3/32 x 3/8 Alum. (all plates)
18	1	127-141	Label, Caution - Keyswitch	56	1	104-13	Pin, Toplink - 3/4 x 2.75
19	1	126-69	Plate, Fuel	57	1	616-16	Hitch Assembly
20	2	127-170	Nameplate - 6x6 Frontier 650	58	1	616-19	Tube, Hitch
	2	127-168	Nameplate - 6x6 Frontier 480	59	4	103-61	HHCS 3/8-24 x 1.5 Gr5 Zn
	2	127-169	Nameplate - 6x6 Frontier 580	60	1	104-11	Pin, Lynch - Ring
21	2	601-106	Trim, Vinyl - 30" Black	61	1	616-20	Gasket, Rear Hitch
22	1	126-09	Grommet, Alum. Flattened Half	62	1	626-10	Hitch Kit (Opt. on Frontier 480/580)
23	1	602-53	Frame Ass'y, Hood - Front	63	2	100-109	Cup Holder Insert
24	1	601-05	Bumper, Vinyl - 6x6				
25	1	803-59	Floor Pan, Front				
26	1	603-99	Body, Lower - Frontier				
27	2	100-107	Plug, Drain - Flanged				
28	2	113-12	Insert, 1/2-13				
29	2	108-35	Washer .53 x 1.06 x .09 Zn				
30	2	112-151	HHCS 1/2-13 x 1" Gr2 Zn				
31	17	120-13	Rivet, 3/16 x 5/8 Black				
32	1	127-144	Label, Warning - HOT				
33	2	120-15	Rivet - 1/8 x 7/16				
34	2	602-56	Latch, Hood - Soft Draw				
35	1	117-10	Locknut, 10-24 N/I Zn				
36	37	120-11	Rivet 5/32 x 9/16 - Black				
37	6	120-05	Washer, .19 x .50 x .04 Zn				
38	1	602-34	Hood Kit - Frontier (spec. colour) (incl. 3, 4, 34, 36, 53, 54)				

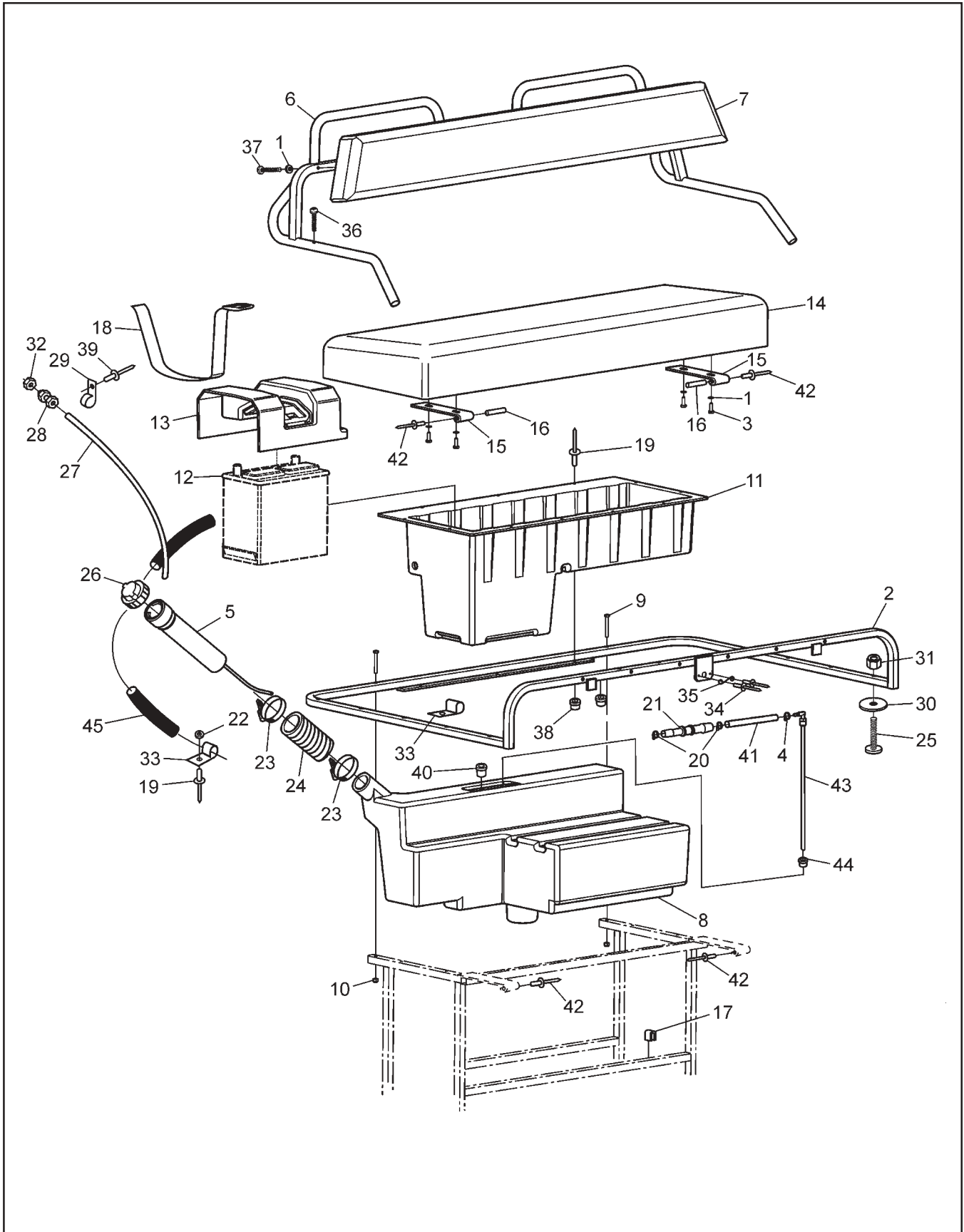


## 6x6 Frontier Parts Manual

## 8.0 Frame and Drive System

Ref.	Qty.	Part #	Description	Ref.	Qty.	Part #	Description
1	1	604-100	Frame Asm - Frontier	37	1x6	603-84	Con. Link, RC60-1 H.D.
2	2	606-43	Slide, Chain - 2-3/4"	38	4	127-65	Spring Torsion - 1.16x0.35
3	64	117-29	Locknut, Nylon 3/8-16 Zn	39	4	606-44	Slider Block
4	12	108-46	Washer .40 x 1.37 x .12 Hi-Carbon	40	4	606-82	Tensioner Asm, Chain
5	10	101-35	Bearing, Ball - 1.25	41	4	127-64	Spring, Torsion - .76 x 1.9
6	6	101-41	Bearing, Ball - 1.0	42	6	603-96	Spring Clip - RC 60 Closed
7	64	108-15	Washer, .42 x .81 x .05 Zn	43	2	101-80	Flange, Greaseable - 90 Degree
8	23	103-88	C/Bolt 3/8-16 x 1.0 Gr5 Zn	44	2	103-97	HHCS 1/4-20 x 1.25
9	12	605-89	Gasket, Flange - Outer	45	4	108-08	Washer .28 x .62 x .07
10	16	605-63	Flange - 4 hole	46	1	806-43	Support Asm, Firewall
11	10	101-20	Flange, Greasable - 4 hole	47	2	117-27	Locknut, Nylon 1/4-20
12	6	102-14	Seal, Oil 1.25 x 1.75 x 0.188	48	4	104-35	Pin, Cotter 2mm x 12mm
13	6	102-15	Seal, Oil 1.25 x 1.874 x 0.25	49	2	603-94	Con. Link, RC60-1 Cotter Pin
14	2/6	605-97	Flange Asm, Outer (incl. Refs. 12 & 13)	50	4	606-25	Gasket - Bearing Extension (if equipped)
15	8	112-39	C/Bolt 3/8-16 x 1.75 Gr5 Zn	51	4	810-91	Bearing Extension (if equipped)
16	2	606-45	Chain, RC60 - 1 x 42P (incl. Ref. 37)	52	20	108-34	Washer .47 x .94 x .06 Zn
17	2	606-46	Chain, RC60 - 1 x 64P (incl. Ref. 37)	53	20	112-150	HHCS 7/16-20 x 1.5 Gr5 Zn
18	4	107-10	Retaining Ring SH-0125-PA				
19	5x6	103-80	Stud, Wheel 7/16-20 x 1.125 #B271				
20	2	606-42	Slide, Chain - 1.25"				
21	2/6	810-75	Axle Asm - Mid (incl. Ref. 19)				
22	2	606-78	Shaft, Idler - 10T #60 Weldment				
23	2	606-81	Sprocket, Idler S60 x 20T				
24	6	606-34	Sprocket, S60 x 19T				
25	6	112-03	SHSS 5/16-18 x 3/8 1/2 DOG, PL				
26	2	803-54	Chain, Idler RC60-1 x 34P				
27	10	112-31	HHCS 3/8-16 x 1.0 2B Gr8 Zn				
28	1	103-82	HHCS 3/8-16 x 1.5 Gr5 Zn				
29	4	112-61	C/Bolt 3/8-16 x 1.25 Gr5 Zn				
30		127-80	Link, Half - RC60 - 1 (opt.)				
31	2	606-47	Chain, RC60-1 x 96P (incl. Ref. 37)				
32	5x6	117-35	Nut, Wheel 7/16-20 Zn				
33	6	125-26	Valve, Tire				
34	6	125-13C	Rim - 8 x 7 - Charcoal				
35	6	127-158	Tire, Argo 24 x 10-8				
36	4	100-01	Pin, Cotter 1/8 x 1.50 Zn				

# 9.0 Fuel System & Seat Assembly 6x6 Frontier Parts Manual



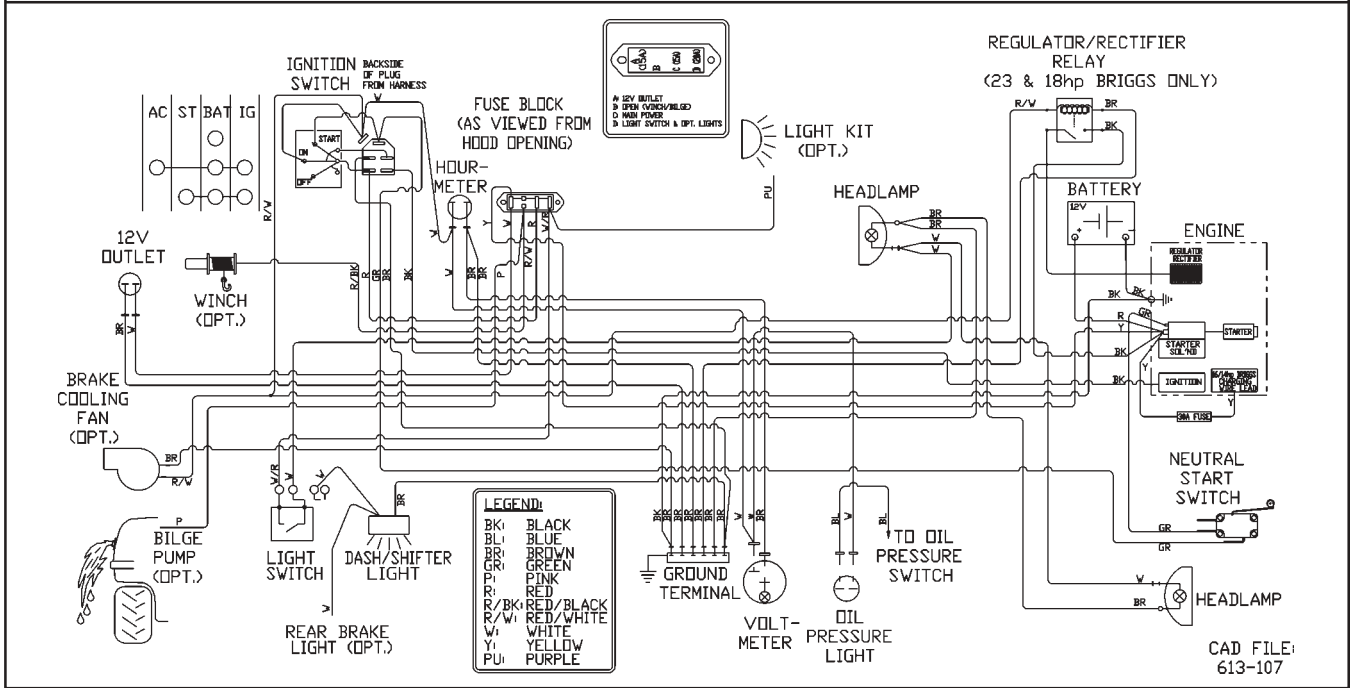
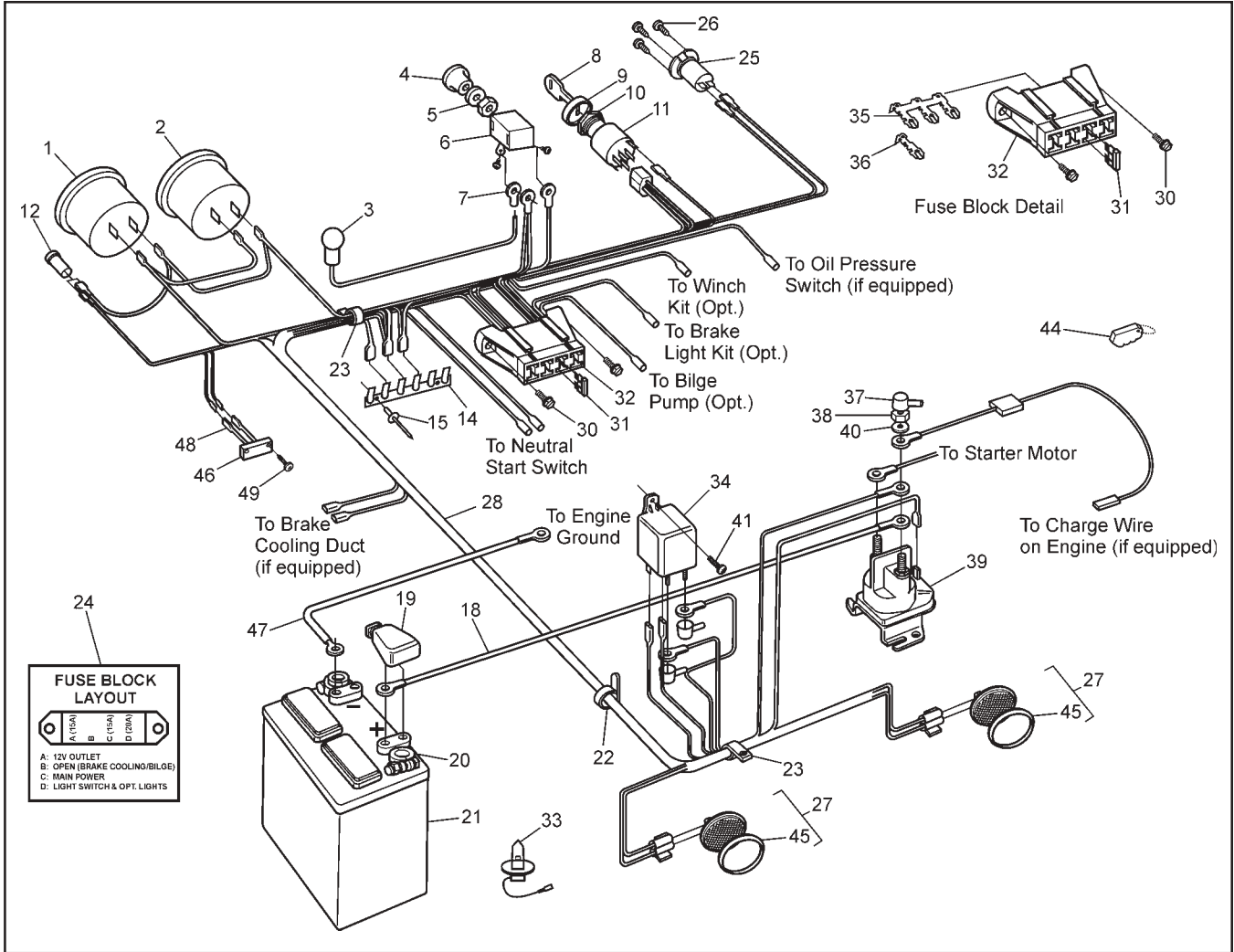
# 6x6 Frontier Parts Manual 9.0 Fuel System & Seat Assembly

Ref.	Qty.	Part #	Description
1	8	108-03	Lockwasher 1/4 Split Ring Zn
2	1	608-61	Frame Assembly, Seat
3	4	112-04	HHCS 1/4-20x3/4 Gr2 Zn
4	2	112-78	Clamp, Hose, 9/16
5	1	608-59	Neck Assembly, Vented Filler
6	1	608-76	Frame Assembly, Backrest
7	1	608-39	Back pad Assembly
8	1	608-91	Tank, Fuel - Avg
9	2	103-77	HHCS, 1/4-28 x 2.0
10	2	117-01	Locknut, Nylon 1/4-28 Zn
11	1	608-54	Toolbox
12	1	127-54	<b>See Section 10.0 Electrical System</b>
13	1	608-55	Cover, Battery
14	1	608-45	Seat Assembly, Bench
15	2	608-81	Hinge, Seat, Bolted
16	2	104-43	Pin, 3/16" x 1-1/8"
17	4	702-06	Foam Cushion
18	1	608-56	Strap, Battery
19	17	120-09	Rivet 3/16x1 - Black
20	4	112-79	Clamp, Hose, 1/2" - Black
21	1	808-133	Reducer, 5/16" to 1/4" Barbed
22	8	120-04	Washer .19 x .50 x .08 Zn
23	2	100-12	Clamp, Gear 2.25" HF-36
24	1	125-94	Hose, Filler
25	10	112-07	RHMS 10-24 x 1.50 Zn
26	1	126-46	Cap, Fuel
27	1	127-21	Hose, Vent - 109"
28	1	126-50	Male Connector, 1/4"
29	6	126-94	Clamp, Nylon Wire - 1/4" ID
30	10	108-42	Washer .21 x 1.0x.06 Zn
31	14	117-10	Locknut, Nylon #10-24 Zn
32	1	117-54	Nut, Locking PAL 1/2-20 Zn
33	7	126-93	Clamp, Nylon Wire - 1/2" ID
34	2	120-15	Rivet, 1/8 x 7/16
35	1	126-11	Spring
36	2	112-41	PHMS, Phil 1/4-20 x 1.25 Zn
37	4	103-03	PHMS, Phil 1/4-20 x 1.50 Zn
38	2	117-64	Insert, 1/4-20 Steel Cad Pltg.
39	4	120-13	Rivet, 3/16 x 5/8 Black
40	1	808-123	Plug, Nylon, 1/4 - NPT
41	2"	608-69RM	Hose, Fuel - 5/16" ID Carb
42	4	120-31	Rivet, 3/16" x 1/4, Open End
43	1	608-89	Pick-up, Fuel, 5/16 x 11.75"
44	1	608-90	Grommet, 5/16" Tube, 3/4" Hole
45	1	608-66	Hose, Fuel 1/4" ID, 80"



# 10.0 Electrical System

# 6x6 Frontier Parts Manual





Ref.	Qty.	Part #	Description
1	1	632-15	Hourmeter #56458-10 (#876EM) *
2	1	633-10	Voltmeter #07583-15 (#830EM) *
3	1	634-10	Light Kit, #06215-00 5/8" dia. *
4	1	126-76	Knob, Light
5	1	108-55	Lockwasher 7/16 Ext. Tooth
6	1	100-62	Switch, Light
7	1	118-30	Terminal, Eye - #10
8	2	127-108	Key, Molded
9	1	127-107	Cover, Nut
10	1	127-106	Nut, Flanged - Plastic
11	1	127-105	Switch - Ignition
12	1	634-08	Light, Indicator *
14	1	613-37	Terminal Strip, Ground
15	2	120-15	Rivet 1/8 x 7/16
18	1	613-94	Wire, Positive Battery
19	1	127-55	Cap, Battery Terminal - Red
20	2	127-56	Terminal, Battery Post
21	1	127-54	Battery, Exide 45-60
22	8	100-64	Tie Wrap - 5.5" - Black
23	13	126-93	Clamp, Nylon Wire - 1/2" ID
24	1	127-154	Label, Fuse Panel
25	1	613-90	Outlet, 12 V DC *
26	3	112-139	#4 Phil Drive Oval Head Screw, Black
27	2	613-92	Headlamp Ass'y - oval w/Bezel (incl. items 33 & 45)
28	1	613-97	Wire Harness
30	2	112-51	Screw, IHWH T/C #10-24 x 5/8
31	3	118-49	Fuse, 15 A 2-prong (AT015)
32	1	118-60	Block Fuse - 8 position (4 fuse)
33	2	127-46	Bulb, Headlight - Halogen
34	1	613-98	Relay, 80 Amp (if equipped)
35	1	118-63	Terminal, Fuse - Triple
36	5	118-62	Terminal, Fuse - Single
37	3	613-45	Insulator, Terminal (6 ga.)
38	3	117-20	Nut, Fin. Hex 1/4-20 Zn
39	1	613-68	Starter Relay
40	1	108-03	Lockwasher 1/4 Split Ring Zn
41	1	103-48	T/S Pan Hd Phil #10 x 5/8 A Blk
44	1	681-00	FOB, Key - Floating
45	2	613-93	Bezel, Headlamp
46	1	613-99	Light, Shifter Illumination *
47	1	613-95	Wire, Negative Battery
48	2	118-69	Terminal, 3/16 Male Blade 22 Ga *
49	2	112-139	OHPS T/S #4 x 5/8 Black Zn *
			* 6x6 Frontier 650 only

# **ARGO** Products Manufactured by:

## **Ontario Drive & Gear Limited**

220 Bergey Court  
New Hamburg, Ontario  
Canada N3A 2J5  
Phone: (519) 662-2840  
Fax: (519) 662-2421  
[www.argoatv.com](http://www.argoatv.com)

**ODG** *Dedicated to quality and performance*