



ARGO

FRONTIER PARTS MANUAL

From Serial # ...15228

Foreword

ODG has prepared this parts manual for the FRONTIER model to assist both qualified mechanics and vehicle owners in ordering correct, quality replacement ARGO parts. For the most current parts manual visit our website at www.argoatv.com.

Proper and regular service, and replacing old, worn or broken parts with the correct ARGO replacement parts, are both essential to prolonging the life of the ARGO. Please refer to this parts manual and/or our website www.argoatv.com before ordering any replacement part.

All information contained in this FRONTIER Parts Manual is based on the latest product specification available at time of printing. If your FRONTIER differs from the specifications contained in this manual, check our website www.argoatv.com for the most current information.

ODG reserves the right to alter specifications on the FRONTIER model at any time, without obligation or prior notification.

Reproduction of this FRONTIER Parts Manual, in whole or in part, is prohibited without prior written permission from Ontario Drive & Gear Limited.

Vehicle Identification

FRONTIER - Serial Nos. ...15228

Explanation of Parts Manual Format

- Ref** - Reference number between assembly diagram and component parts list
- Part No.** - Argo replacement part number for identification and re-ordering
- Description** - Part description for identification and re-ordering
- Qty** - Indicates the quantity of a part used in an assembly

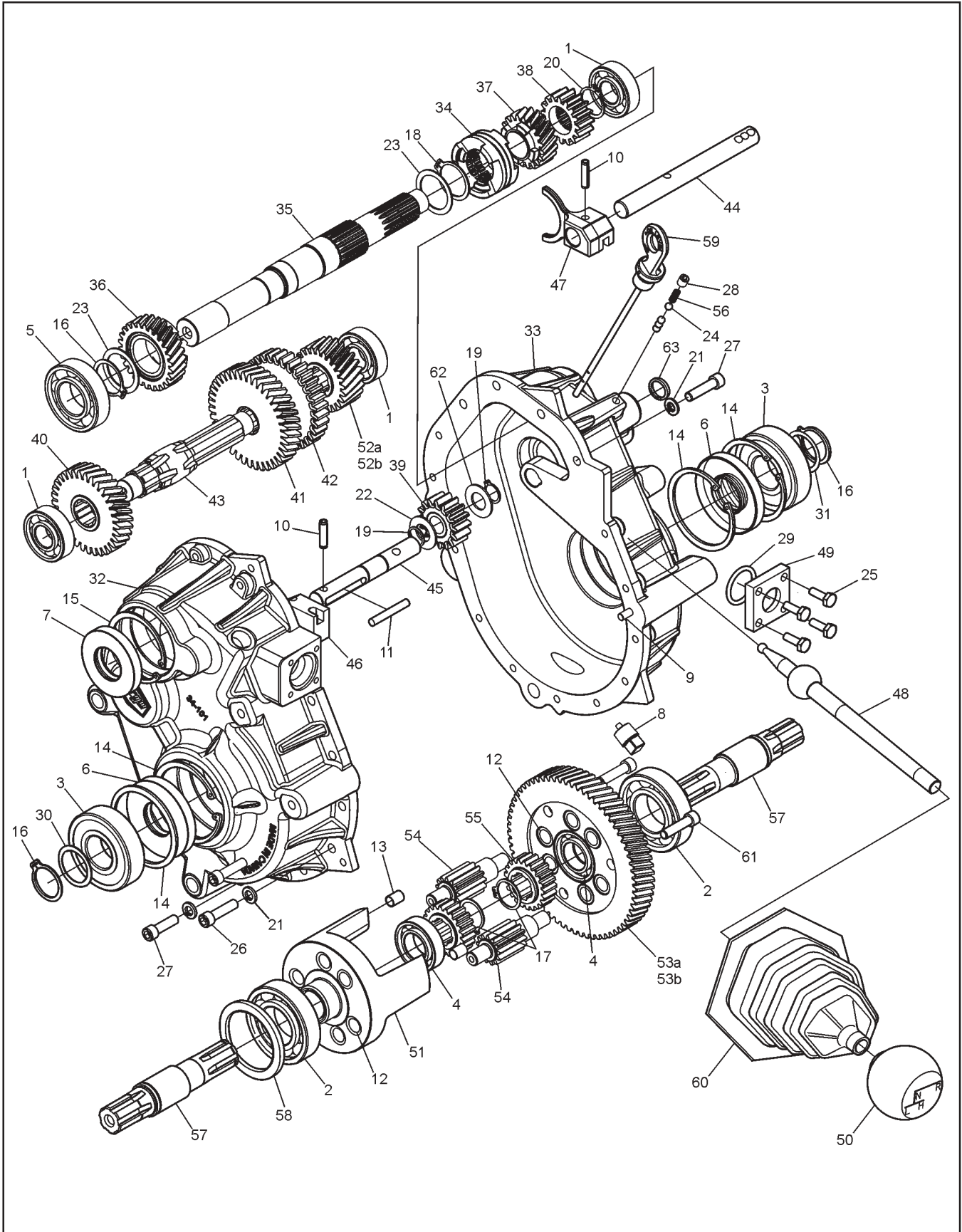


Using the Parts Manual

1. Find the major vehicle assembly in the Table of Contents on this page, and turn to that section.
2. Locate the part in the illustration that you wish to order.
3. Refer to the parts list in that section.
4. Find the correct part number (Part No.), part description (Description) and correct quantity (Qty).
5. Use *only* this information to order ARGO replacement parts. *DO NOT* attempt to order a replacement part by reference number or page number.

Table of Contents

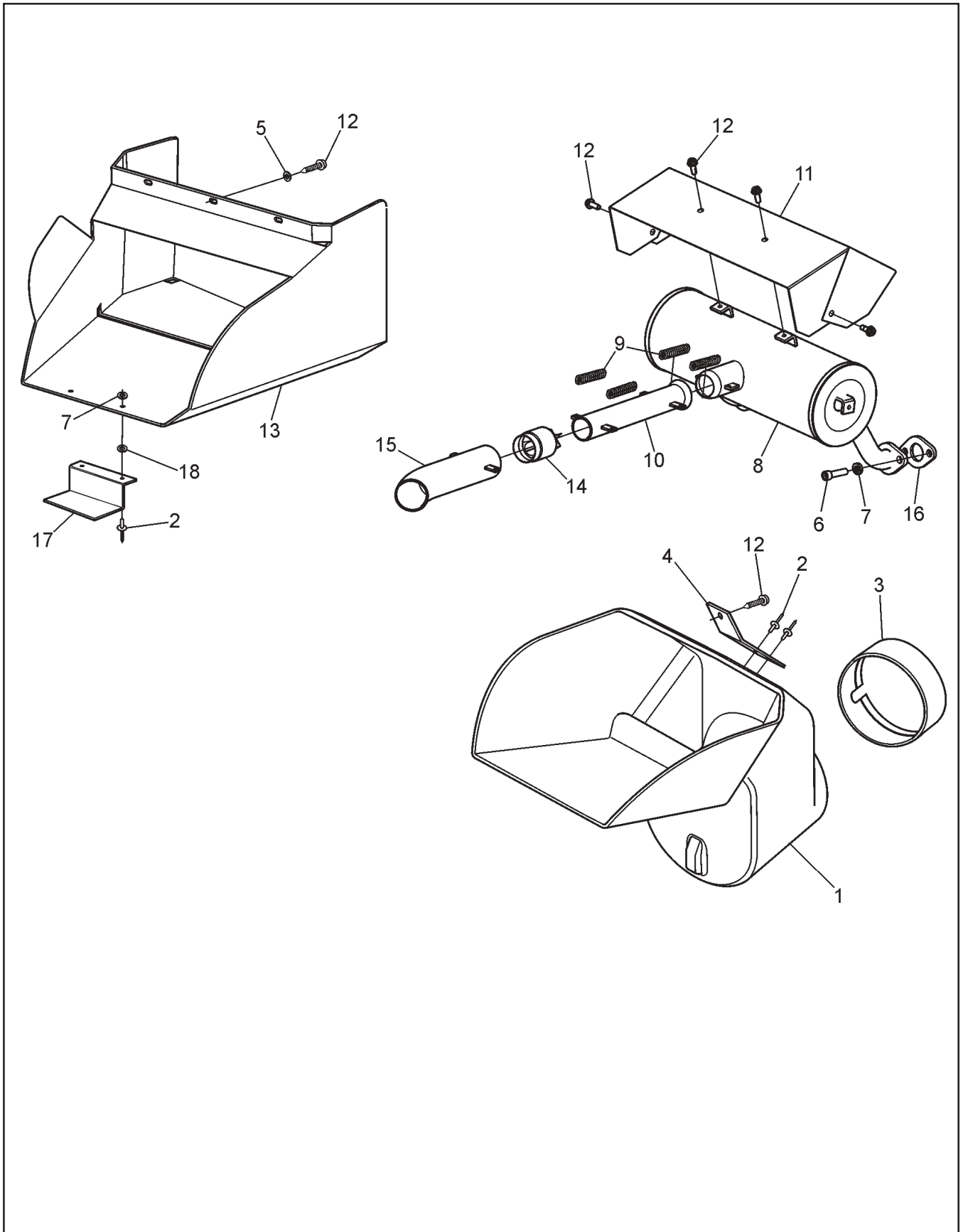
Foreword	i
Vehicle Identification	i
Using the Parts Manual	ii
1.0 Transmission	1
2.0 Intake and Exhaust System	3
3.0 Clutch System	5
4.0 Power Pack Assembly	7
5.0 Steering & Brake System	9
6.0 CE Kit - 850-70 (Opt.)	11
7.0 Vehicle Body & Firewall	13
8.0 Frame & Drive System	15
9.0 Fuel System & Seat Assembly	17
10.0 Electrical System	19



Frontier Parts Manual

1.0 Transmission

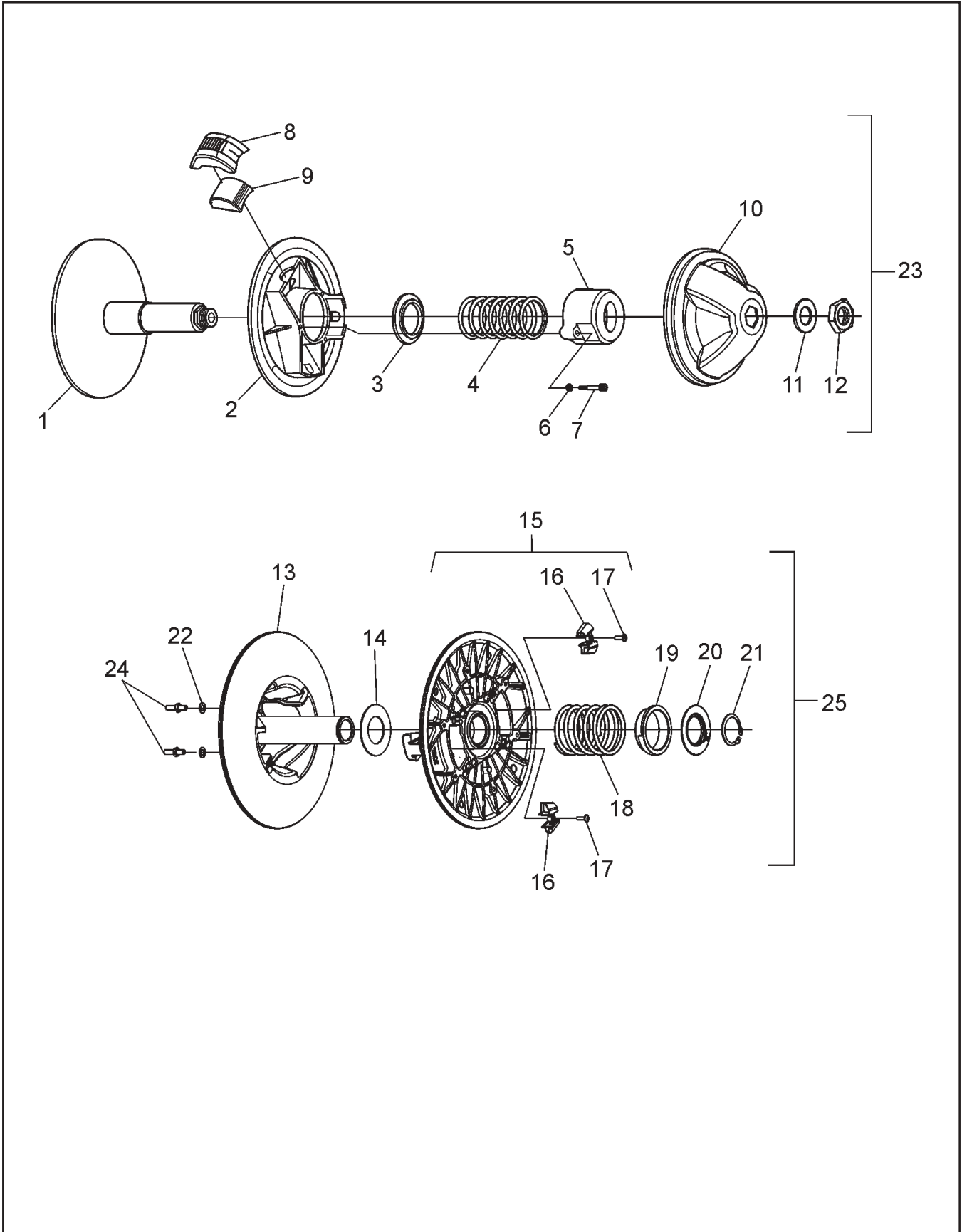
Ref.	Qty.	Part #	Description	Ref.	Qty.	Part #	Description
	1	34-100	Transmission Assembly	40	1	34-109	Gear, Helical - HI 12DP 33T
	1	34-100-3.3	Transmission Assembly	41	1	34-110	Gear, Helical - LOW 12DP 39T
1	3	101-01	Bearing, Ball 6204Z-C3	42	1	34-111	Gear, Reverse - 10DP 33T
2	2	101-03	Bearing, Ball 6207-C3	43	1	34-112	Shaft, Spline
3	2	101-05	Bearing, Ball 6306LLU-C3/2A	44	1	34-113	Shaft, Shift - Forward
4	2	101-15	Bearing, Ball 6005-C3	45	1	34-114	Shaft, Shift - Reverse
5	1	101-16	Bearing, Ball 6206-C3	46	1	34-115	Block, Shift
6	2	102-03	Seal,Oil WBS 30x72x10 NB D/LIP	47	1	34-116	Fork, Shift
7	1	102-05	Seal,Oil WBS 30x62x10 NB D/LIP	48	1	34-117	Lever, Shift
8	1	103-02	Plug, Magnetic 3/8-18NPT SQ.HD	49	1	34-118	Plate, Shifter
9	2	104-03	Pin, Dowel 1/4x7/8	50	1	34-121	Knob, Shift - w/Argo Logo
10	2	104-39	Pin, Spring - 1/4 x 1.0	51	1	34-122	Cage, Differential
11	1	104-40	Pin, Dowel - 1/4 x 1.75	52a	1	34-123	Pinion, Helical - 25T - 2.6
12	12	105-03	Bushing, Oilite - 1/2x3/4	52b	1	34-125	Pinion, Helical - 21T - 3.3
13	3	105-23	Bushing, Dowel - .312 x .5	53a	1	34-124	Gear Plate - 66T - 2.6
14	4	106-03	Retaining Ring HO-281PA	53b	1	34-126	Gear Plate - 70T - 3.3
15	1	106-05	Retaining Ring HO-244-PA	54	6	34-13	Gear, Planet - 12T
16	3	107-02	Retaining Ring SH-0118-PA	55	2	34-14	Gear, Sun - 21T
17	2	107-04	Retaining Ring SH-0098-PA	56	2	34-32	Spring, Comp. 0.22x.50
18	1	107-10	Retaining Ring SH-0125-PA	57	2	34-98	Shaft, Output - Splined
19	2	107-11	Retaining Ring	58	1	114-01	Washer, Shim 2.25 x 2.81 x .02
20	1	107-12	Retaining Ring SH-0100-PA	59	1	CE-035	Dipstick - with Breather - 190mm
21	15	108-05	Lockwasher 5/16 Split-Ring Zn	60	1	609-38	Boot, Shifter
22	1	108-78	Washer, Thrust	61	3	112-64	SHCS, 5/16-18 x 1.25
23	2	108-79	Washer, Thrust	62	1	108-81	Washer, Retaining Thrust
24	5	109-05	Ball, Steel 6mm 62-67 Rc	63	1	113-16	O-Ring #AS568-014-70BN 5/8"OD x 1/2"ID x 1/16" Thk
25	4	112-04	HHCS 1/4-20x3/4 GR2 Zn				
26	13	112-143	SHCS 5/16 x 1.25 Zn				
27	2	112-144	SHCS 5/16 x 1.0 Zn				
28	1	112-145	SHSS 5/16 - 18 x 3/8				
29	1	113-11	O-Ring #AS568-216-70BN				
30	1	114-04	Washer, Shim 1.19x1.50x.04				
31	1	114-05	Washer, Shim 1.19x1.50x.02				
32	1	34-101	Housing, Transmission - L				
33	1	34-102	Housing, Transmission - R				
34	1	34-127	Clutch, Dog				
35	1	34-104	Shaft, Input - 19/15T Spline				
36	1	34-128	Pinion, Helical - HI 12DP 26T				
37	1	34-129	Pinion, Helical - LO 12DP 20T				
38	1	34-107	Pinion, Reverse - 10 DP 16T				
39	1	34-108	Gear, Idler - Rev - 10DP 16T				



Ref.	Qty.	Part #	Description
1	1	809-07	Duct, Intake - Frontier
2	4	120-13	Rivet, 3/16 x 5/8 - Black
3	1	603-82	Seal
4	1	809-08	Bracket, Intake Duct
5	3	108-02	Lockwasher 5/16 Hi-Collar Bare
6	4	112-30	SHCS M8 x 1,25 x 20mm Zn
7	14	120-04	Washer, .19 x .50 x .08 Zn
8	1	807-135	Muffler, B&S 23HP Weld Ass'y
9	4	126-57	Spring, Extension - 7/16 x 2.14
10	1	607-125	Tube Ass'y, Muffler, Flared
11	1	807-85	Shield, Heat - Muffler
12	8	112-19	Screw, IHWH T/C Slot 1/4-20 x 1/2
13	1	607-129	Duct, Exhaust
14	1	607-126	Spark Arrester, 1.75 Dia.
15	1	607-117	Pipe, Tail - Asm
16	1	24 041 49	Gasket, Exhaust Manifold
17	1	707-45	Support, Exhaust Duct
18	2	125-58	Washer, Fibre - W-77F

3.0 Clutch System

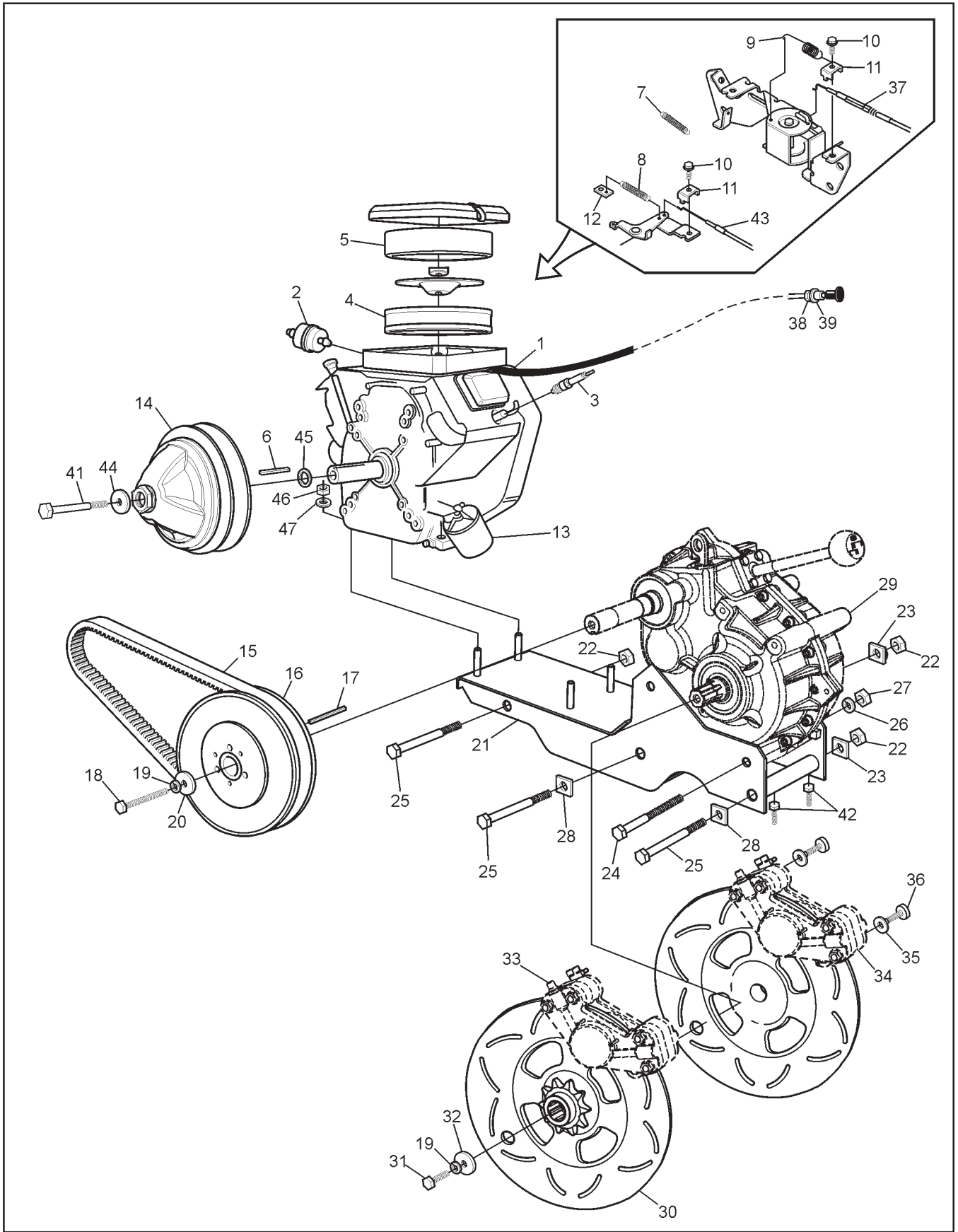
Frontier Parts Manual



Ref.	Qty.	Part #	Description
1	1	0405-0075	Flange, Fixed
2	1	0410-0026	Flange, Sliding
3	1	0150-1014	Spring Guide Washer
4	1	0451-1114	Spring
5	1	0440-0005	Spring Cover
6	3	0080-0167	Lockwasher
7	3	0080-0021	Screw, Cap
8	3	0130-3009	Block
9	3	0135-3065	Weight (275gr)
10	1	0115-3047	Cap
11	1	0080-0153	Washer, Zn
12	1	0080-0100	Nut
13	1	5905-0003	Flange, Fixed
14	1	0080-0164	Washer, Shim
15	1	5910-0002	Flange, Sliding
16	3	5930-3001	Cam Shoe
17	2	0080-0031	Screw
18	1	5951-1009	Spring
19	1	5950-3003	Spring Protector
20	1	5950-3002	Spring Support
21	1	0080-0216	Retaining Ring, Outside
22	2	0080-0167	Lockwasher
23	1	127-135	Clutch, Driver
24	2	0080-0035	Screw & Nut Ass'y
25	1	127-156	Clutch, Driven - INVANCE

4.0 Power Pack Assembly

Frontier Parts Manual



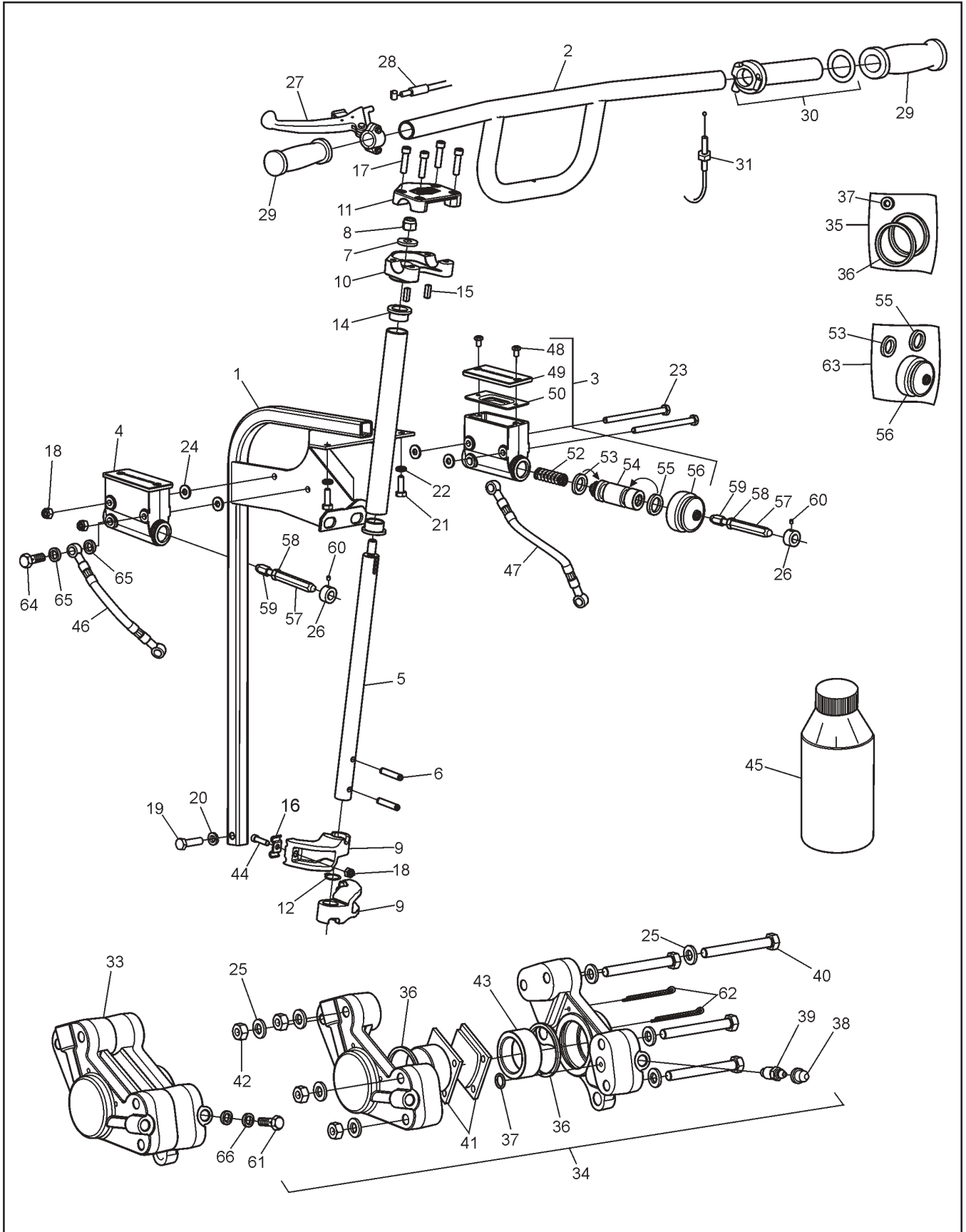
Frontier Parts Manual

4.0 Power Pack Assembly

Ref.	Qty.	Part #	Description	Ref.	Qty.	Part #	Description
1	1	128-20	Engine - B&S 23HP, 20/50 amp incl. Ref. 2-13 B&S #386447-0144-E1	35	4	108-23	Washer .42 x .81 x .06 Gr8 Zn
2	1	125-64	Fuel Filter, G81-4	36	4	103-41	SHCS 3/8-16 x 1.25 Zn
3	2	126-74	Spark Plug #3926	37	1	612-101	Cable Asm, Throttle
4	1	692519	Filter, Air	38	2	117-68	Nut, Jam 3/8-24 UNF Zn
5	1	692520	Element, Foam	39	1	108-32	Lockwasher 3/8 Int. Tooth
6	1	110-18	Key 1/4 x 1/4 x 1.75 RC45	41	1	112-160	HHCS, 7/16-20 x 5" Lg
7	1	805458	Spring	42	2	103-53	HHCS 3/8-16 x 3.0 Full Thread
8	1	125-88	Spring, Return	43	1	612-130	Cable Asm, Choke
9	1	127-49	Spring, Return	44	1	108-58	Washer .47 x 1.37 x .12 Hi- Carbon
10	1	805169	Screw-Hex Head (Briggs #)	45	1	108-84	Washer, Engine, Clutch
11	1	221535	Clamp - Casing (Briggs #)	46	4	117-21	Locknut, Nylon 5/16-18 Zn
12	1	601-86	Clip, Retainer	47	4	108-12	Washer .34 x 1.00 x .06 Zn
13	1	126-95	Filter, Oil				
14			See Section 3.0 Clutch System				
15	1	127-159	Drive Belt - Frontier - 11.3" Cen. Dist				
16			See Section 3.0 Clutch System				
17	2	110-03	Key 1/4 x 3/16 x 2.375 RC46				
18	1	112-164	HHCS 3/8-16 x 3.50 Gr5 Zn				
19	3	108-06	Lockwasher 3/8 Split Ring Zn				
20	1	108-46	Washer .40 x 1.37 x 1.2 Hi- Carbon				
21	1	604-118	Frame Ass'y - Power Pack				
22	3	117-83	Locknut, Stover 5/8-11 Zn				
23	2	811-09	Washer, Square - .64 ID				
24	2	103-20	HHCS 1/2-13 x 6.5 Gr5 Zn				
25	3	112-58	HHCS 5/8-11 x 7.5 Gr5 Zn				
26	2	108-07	Lockwasher 1/2 Split Ring Zn				
27	2	117-06	Nut, Fin Hex 1/2-13 Zn				
28	2	811-15	Washer, Square Lock .64 ID				
29			See Section 1.0 Transmission				
30	2	606-74	Disc, Brake-Splined #60-10T				
31	2	103-18	HHCS 3/8-24 x 1.25 Gr5 Zn				
32	2	108-18	Washer .40 x 1.37 x .12 Zn				
33			See Section 5.0 Steering & Brake System				
34			See Section 5.0 Steering & Brake System				

5.0 Steering & Brake System

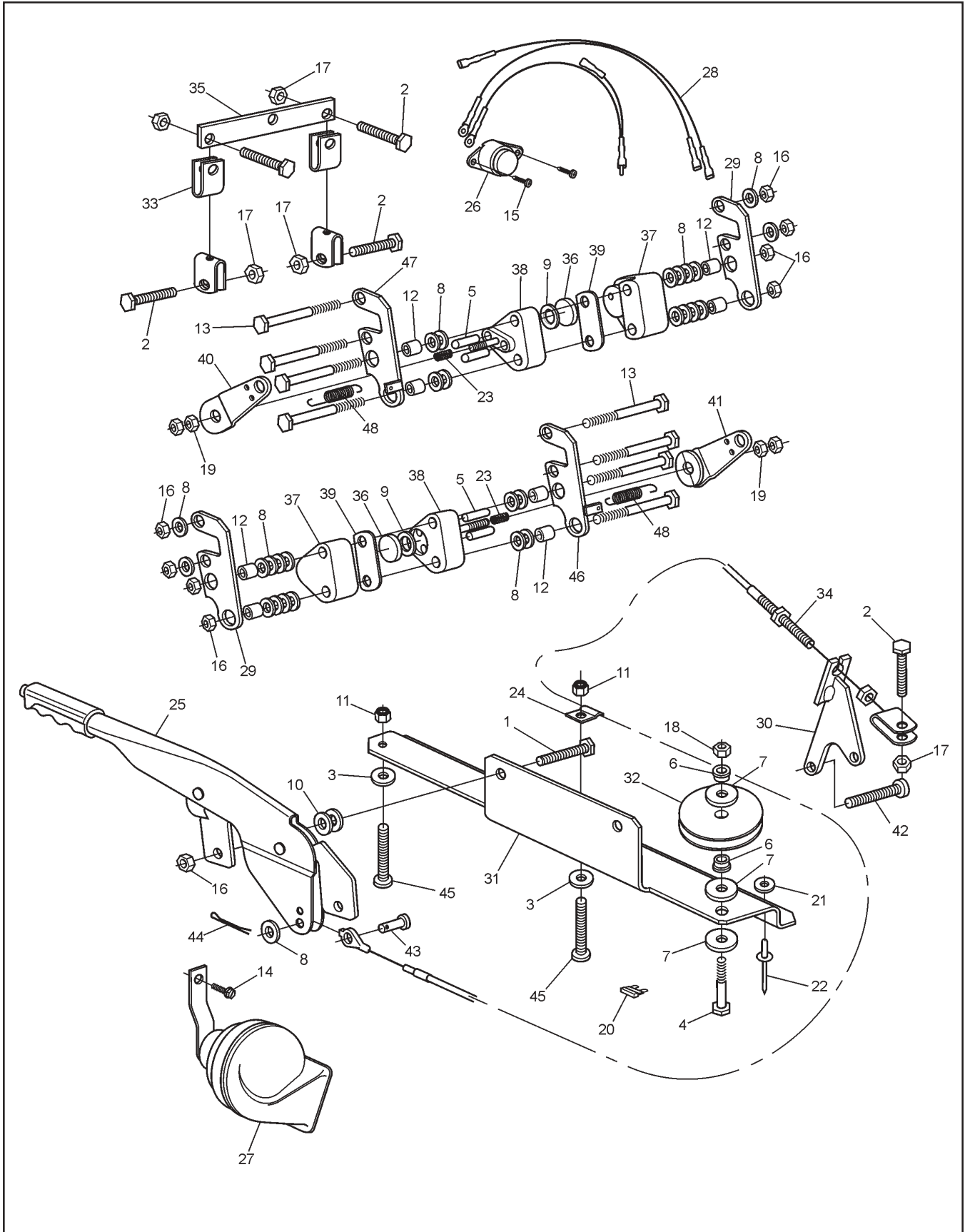
Frontier Parts Manual



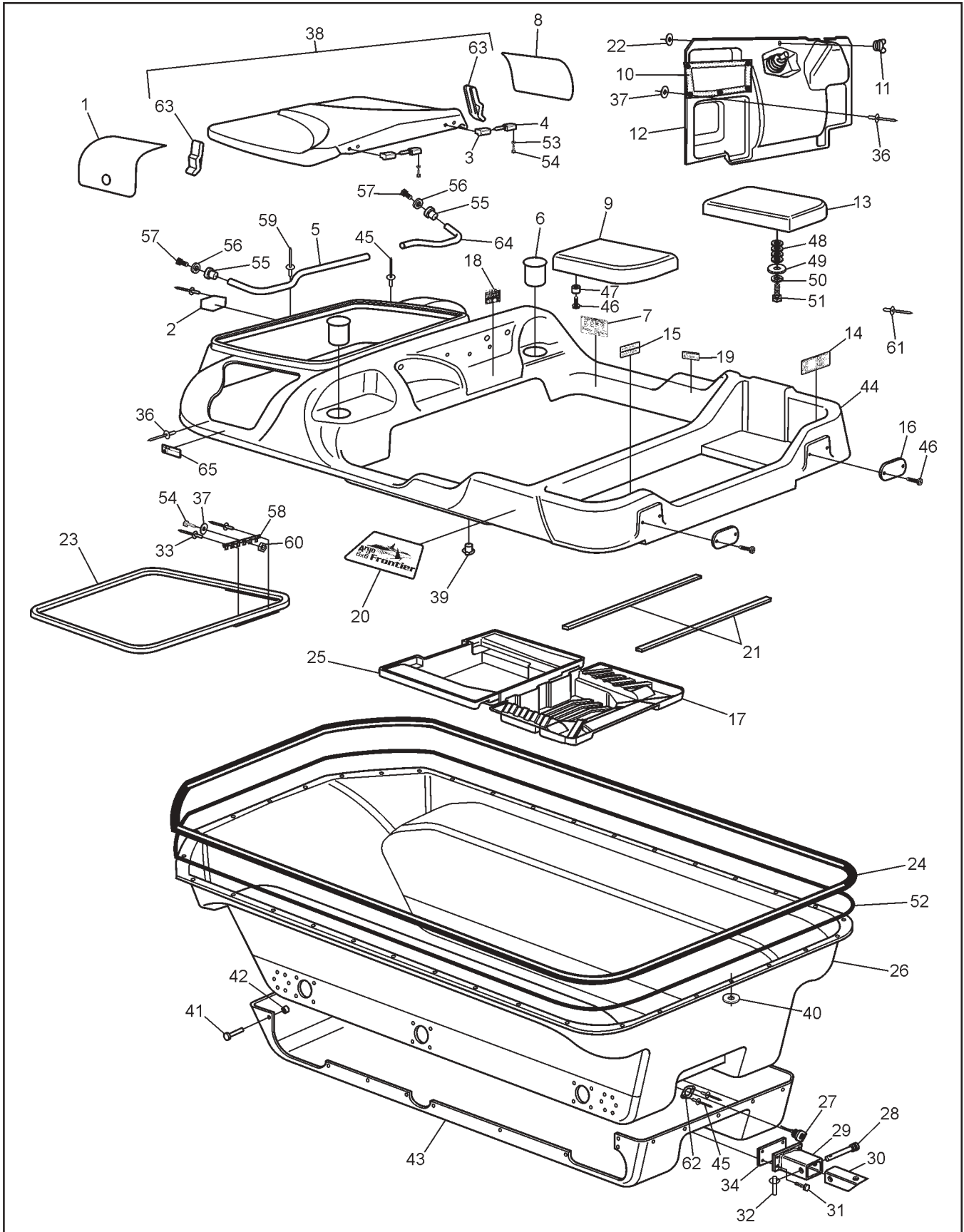
Frontier Parts Manual

5.0 Steering & Brake System

Ref.	Qty.	Part #	Description	Ref.	Qty.	Part #	Description
1	1	612-129	Frame Assembly, Steering Column	41	1	170-03	Pad Set (4), Brake - Non-Asbestos
2	1	612-107	Handlebar Assembly	42	2x4	117-03	Nut, Fin Hex 5/16-18 Zn
3	1	165-08	Master Cylinder, Grimeca - R	43	2x2	168-01	Piston, Knott Caliper
4	1	165-07	Master Cylinder, Grimeca - L	44	2	112-159	BHCS, 1/4-20 x 1.0, Plated
5	1	612-127	Shaft, Steering - Argo	45		126-19	Fluid, Brake-Silicon Dot 5 - .35L
6	2	104-42	Pin, Spring 1/4 x 1.5"	46	1	163-03	Hose Asm, Hydraulic - Left - Avenger
7	1	108-47	Washer, .39 x .94 x .13 Zn Di-chr	47	1	163-04	Hose Asm, Hydraulic - Right - Avenger
8	1	117-29	Locknut, Nylon 3/8-16 Zn	48	2x2	103-47	HHMS #10-24 x 1/2" Zn
9	2	612-124	Arm, Steering	49	2x1	168-17	Cover
10	1	612-106	Clamp, Lower Handlebar	50	2x1	168-16	Cover, Rubber
11	1	612-105	Clamp, Upper Handlebar	52	2x1	162-08	Spring, Comp. 17.3 x 49.3mm
12	1	106-07	Ring, Retaining SH-0075PA	53	2x1		Seal, Primary, 19mm (See Ref. 63)
14	2	105-16	Bushing, Oilite - 3/4 x 1/2	54	2x1	168-10	Piston 19mm dia.
15	2	110-17	Key, 3/16 x 3/16 x .625	55	2x1		Seal, Secondary, 19mm (See Ref. 63)
16	2	128-10	Retainer, Handbrake Cable	56	2x1		Boot, Rubber (See Ref. 63)
17	4	112-47	SHCS, 1/4-20 x 1.0 Zn	57	2	812-30	Pin, Female
18	4	117-27	Locknut, Nylon 1/4-20 Zn	58	2	117-03	Nut, Fin Hex 1/4-20 Zn
19	1	103-38	HHCS 5/16-18 x 1.25 Gr5 Zn	59	2	812-31	Fin, Male
20	1	108-05	Lockwasher 5/16 Split-Ring Zn	60	2	112-02	SHSS 10-24x1/4 Knurl Cup PT, PL
21	2	112-04	HHCS 1/4-20 x 3/4 Gr2 Zn	61	2	160-45	Bolt, Banjo
22	2	108-03	Lockwasher 1/4 Split Ring Zn	62	2x2	168-07	Pin, Cotter 1/8 x 3.00 Zn
23	2	103-66	HHCS, 1/4-20 x 4.0 Gr5 Zn	63	2x1	161-25	O-Ring Kit - Master Cylinder - Grimeca (incl. Ref. 53, 55 & 56)
24	4	108-08	Washer, .28 x .62 x .04 Zn	64	2	160-44	Bolt, Banjo - M10 x 1,0 x 21,0
25	2x8	108-24	Washer, .34 x .70 x .06 Zn	65	4	160-01	Washer, Copper - 1,5 x 10,0 x 14,0
26	2	812-17	Collar	66	4	160-04	Washer, Copper 2.3 x 10.0 x 16.0
27	1	128-17	Lever Assembly, Handbrake, Spring				
28	1	128-09	Cable Assembly, Handbrake				
29	2	127-35	Grip, Molded				
30	1	127-81	Throttle Twist Grip				
31	1	612-101	Cable Asm., Throttle				
33	1	166-10	Caliper, Hydraulic Brake - L w/o pads				
34	1	166-11	Caliper, Hydraulic Brake - R w/o pads				
35	2	161-05	O-ring Kit, Knott Caliper				
36	2		Seal, Piston				
37	2		Seal, Rubber				
38	2x1	168-20	Plug, Rubber				
39	2x1	168-02	Screw, Bleeding, Knott Caliper				
40	2x4	112-154	SHCS, 5/16-18 x 2.75 Zn				



Ref.	Qty.	Part #	Description
1	2	103-06	HHCS 5/16-18x1.0 Gr5 Zn
2	5	103-08	HHCS 1/4-20x1.0 Zn
3	2	108-42	Washer .21x1.0x.06 Zn
4	1	103-82	HHCS 3/8-16x1.5 Gr5 Zn
5	4	104-41	Pin, Rounded Dowel 5/16x1
6	2	105-18	Bushing, Oilite - 3/8x1/4
7	3	108-15	Washer .42 x .81 x .05 Zn
8	32	108-24	Washer .34x.70x.06 Zn
9	2	108-35	Washer .53x1.06x.09 Zn
10	4	108-47	Washer .39x.94x.13 Zn Di-Chro
11	2	117-10	Locknut, 10-24 N/I Zn
12	8	108-71	Spacer-5/16 IDx7/16 ODx13/32 L
13	8	112-132	HHCS 5/16-18 x 3.25 Gr5 Zn
14	1	112-19	Screw,IHWH T/C Slot 1/4-20x1/2
15	2	112-56	T/S Pan Head Phil #10x3/4 A Zn
16	10	117-21	Locknut, Nylon 5/16-18 Zn
17	5	117-27	Locknut, Nylon 1/4-20 Zn
18	1	117-29	Locknut, Nylon 3/8-16 Zn
19	4	117-46	Locknut, 2-way 5/16-24 Zn
20	1	118-52	Fuse, 10A 2-Prong (AT010)
21	4	120-04	Washer .19x.50x.08 Zn
22	4	120-09	Rivet - 3/16 x 1.0 Black
23	2	128-12	Spring, Comp .437 x .62" Lg.
24	1	128-13	Clip, Conduit-Anti
25	1	809-147	Lever, Parking Brake
26	1	848-86	Button, Horn
27	1	848-87	Horn, Electric
28	1	848-88	Wire Harness, Horn
29	2	850-71	Bracket, Mechanical Brake
30	1	850-72	Bracket Asm, Parking/Brake
31	1	850-78	Bracket, Parking Lever
32	1	850-79	Pulley, Parking Brake Cable
33	2	850-80	Cable, Parking Brake Equalizer
34	1	850-81	Cable, Parking Brake
35	1	850-82	Flat Bar, Equalizer
36	2	850-83	Puck, Friction
37	2	850-84	Brake Housing, Dead Side
38	2	850-85	Brake Housing, Live Side
39	2	850-87	Plate, Shim
40	1	850-88	Lever Asm, Brake - R
41	1	850-75	Lever Asm, Brake - L
42	1	112-143	SHCS 5/16x1.25 Zn
43	1	104-27	Pin, Clevis 5/16x.75" Zn
44	1	100-100	Pin, Cotter 1/8x3/4 Zn
45	2	112-07	RHMS 10-24 x 1.50 Zn
46	1	850-86	Weldment, Mechanical Brake Bracket - L
47	1	850-89	Weldment, Mechanical Brake Bracket - R
48	2	128-18	Spring, Extension 3/8" x 1.625"



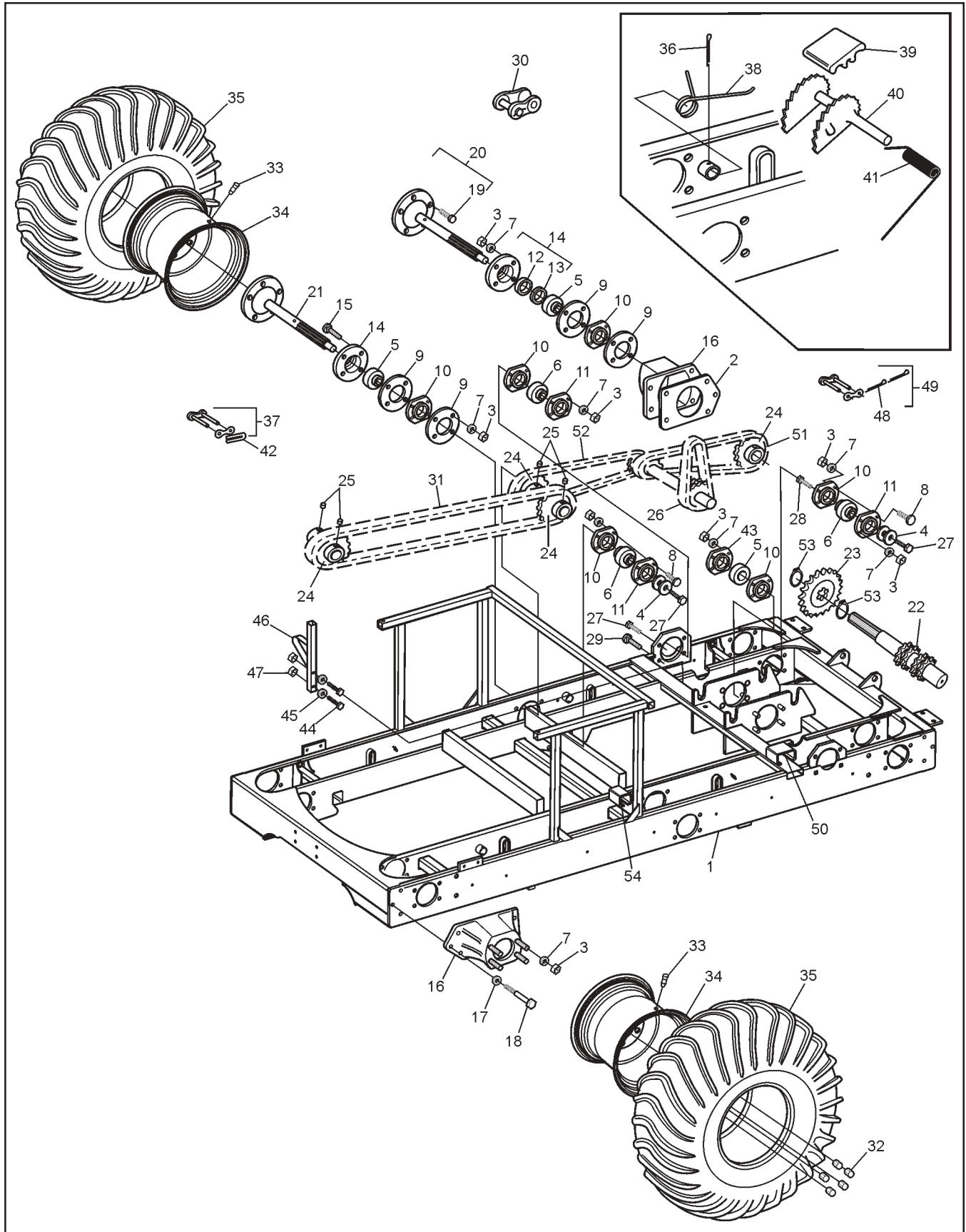
Frontier Parts Manual

7.0 Vehicle Body & Firewall

Ref.	Qty.	Part #	Description	Ref.	Qty.	Part #	Description
1	1	707-43	Screen - Exhaust	42	32	120-28	Collar, Magna Grip
2	1	601-102	Nameplate, "Argo"	43	1	603-98	Skid Plate, 6x6 - Black
3	2	127-45B	Knuckle, Hinge	44	1	601-105	Body & Hood, Upper - Frontier (spec. colour) (incl. 23, 33, 38)
4	2	127-45A	Pin, Hinge	45	109	120-09	Rivet 3/16 x 1 - Black
5	1	601-103	Tube, Dash Handle, Pass. Side	46	8	103-48	T/S Pan HD PHIL #10 x 5/8
6	2	100-109	Cup Holder Insert	47	4	126-79	Bumper, Plastic - Black
7	1	126-68	Plate, Operation	48	20	108-25	Washer .31 x .75 x .06 Zn
8	1	707-42	Screen, Intake	49	4	801-41	Washer, Seat
9	1	601-03	Seat, Rear - Left - 6x6 - Black	50	4	108-03	Lockwasher 1/4 Split Ring Zn
10	1	100-108	Mesh, Glove Box	51	4	112-04	HHCS 1/4-20 x 3/4 Gr2 Zn
11	2	126-10	Wing Stud	52	1	126-60	Vinyl Strip, 1/2" x 1/4" x 37.5'
12	1	803-60	Firewall, Avenger	53	8	108-59	Lockwasher #10 Int. Tooth Zn
13	1	601-02	Seat, Rear - Right - 6x6 - Black	54	9	103-47	HHCS 10-24 x 1/2
14	1	126-67	Plate, Floor Pan	55	2	113-12	Insert, 1/2-13
15	1	127-148	Plate, Vehicle Capacity	56	2	108-35	Washer .53 x 1.06 x .09 Zn
16	2	127-01	Reflector, Red	57	2	112-151	HHCS 1/2-13 x 1" Gr2 Zn
17	1	803-61	Floor Pan, Rear - Frontier	58	1	613-37	Terminal Strip, Ground
18	1	127-141	Label, Caution - Keyswitch	59	13	120-13	Rivet, 3/16 x 5/8 Black
19	1	126-69	Plate, Fuel	60	1	117-10	Locknut, 10-24 N/I Zn
20	2	127-149	Nameplate - Frontier	61	38	120-24	Rivet, 3/32 x 3/8 Alum. (all plates)
21	2	601-106	Trim, Vinyl - 30" Black	62	2	100-114	Gasket, Drain Plug
22	2	126-09	Grommet, Alum. Flattened Half	63	2	602-56	Latch, Hood - Soft Draw
23	1	602-53	Frame Ass'y, Hood - Front	64	1	601-104	Tube, Dash Handle, Driver Side
24	1	601-05	Bumper, Vinyl - 6x6	65	1	127-144	Label, Warning - HOT
25	1	803-59	Floor Pan, Front				
26	1	603-99	Body, Lower - Frontier				
27	2	100-107	Plug, Drain - Flanged				
28	1	104-13	Pin, Toplink - 3/4 x 2.75				
29	1	616-16	Hitch Assembly				
30	1	616-19	Tube, Hitch				
31	4	103-61	HHCS 3/8-24 x 1.5 Gr5 Zn				
32	1	104-11	Pin, Lynch - Ring				
33	4	120-15	Rivet - 1/8 x 7/16				
34	1	616-20	Gasket, Rear Hitch				
36	38	120-11	Rivet 5/32 x 9/16 - Black				
37	6	120-05	Washer, .19 x .50 x .04 Zn				
38	1	602-34	Hood Kit - Frontier (spec. colour) (incl. 3, 4, 53, 54, 63)				
39	2	117-44	T- Nut 1/4-20 Zn				
40	84	120-04	Washer .19 x .50 x .08 Zn				
41	32	120-27	Pin, Magna Grip				

8.0 Frame and Drive System

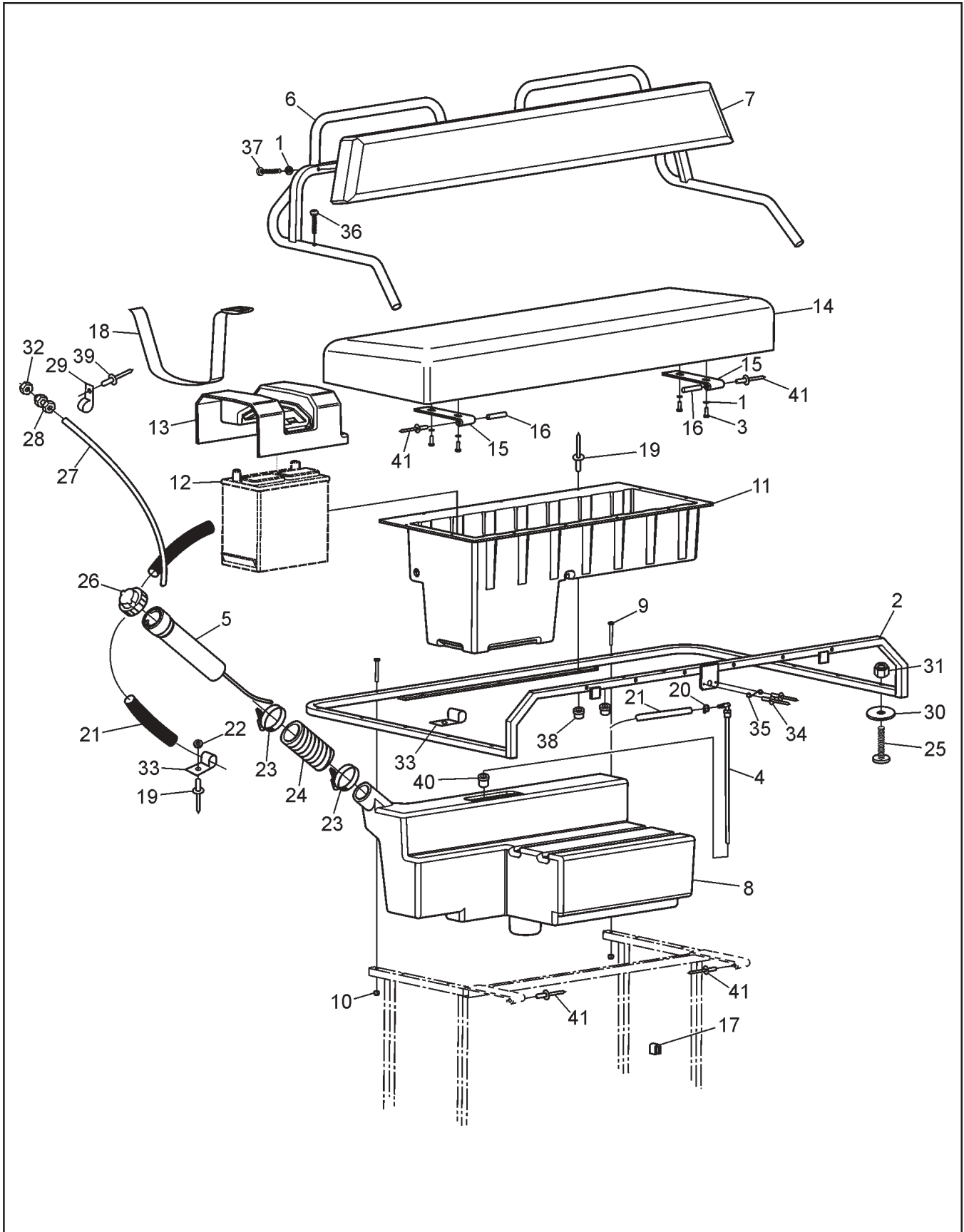
Frontier Parts Manual



Frontier Parts Manual

8.0 Frame and Drive System

Ref.	Qty.	Part #	Description	Ref.	Qty.	Part #	Description
1	1	604-100	Frame Asm - Frontier	38	4	127-65	Spring Torsion - 1.16x0.35
2	4	606-25	Gasket - Bearing Extension	39	4	606-39	Slider Block -1/2" Shaft
3	80	117-29	Locknut, Nylon 3/8-16 Zn	40	4	606-35	Tensioner Asm, Chain
4	16	108-46	Washer .40 x 1.37 x .12 Hi-Carbon	41	4	127-64	Spring, Torsion - .76 x 1.9
5	8	101-35	Bearing, Ball - 1.25	42	4	603-96	Spring Clip - RC 60 Closed
6	8	101-41	Bearing, Ball - 1.0	43	2	101-80	Flange, Greaseable - 90 Degree
7	80	108-15	Washer, .42 x .81 x .05 Zn	44	2	103-97	HHCS 1/4-20 x 1.25
8	31	103-88	C/Bolt 3/8-16 x 1.0 Gr5 Zn	45	4	108-08	Washer .28 x .62 x .07
9	12	605-89	Gasket, Flange - Outer	46	1	806-43	Support Asm, Firewall
10	20	605-63	Flange - 4 hole	47	2	117-27	Locknut, Nylon 1/4-20
11	10	101-20	Flange, Greasable - 4 hole	48	4	104-35	Pin, Cotter 2mm x 12mm
12	8	102-14	Seal, Oil 1.25 x 1.75 x 0.188	49	2	603-94	Con. Link, RC60-1 Cotter Pin
13	8	102-15	Seal, Oil 1.25 x 1.874 x 0.25	50	2	606-43	Slide, Chain - 2-3/4"
14	8	605-97	Flange Asm, Outer (incl. Refs. 12 & 13)	51	2	606-45	Chain, RC60 - 1 x 42P
15	16	112-39	C/Bolt 3/8-16 x 1.75 Gr5 Zn	52	2	606-46	Chain, RC60 - 1 x 64P
16	4	810-91	Bearing Extension	53	4	107-10	Retaining Ring SH-0125-PA
17	20	108-34	Washer .47 x .94 x .06 Zn	54	2	606-42	Slide, Chain - 1.25"
18	20	112-150	HHCS 7/16-20 x 1.5 Gr5 Zn				
19	5x8	103-80	Stud, Wheel 7/16-20 x 1.125 #B271				
20	4	810-73	Axle Asm - Front/Rear (incl. Ref. 19)				
21	2	810-75	Axle Asm - Mid (incl. Ref. 19)				
22	2	606-78	Shaft, Idler - 10T #60 Weldment				
23	2	606-81	Sprocket, Idler S60 x 21T				
24	8	606-34	Sprocket, S60 x 19T				
25	10	112-03	SHSS 5/16-18 x 3/8 1/2 DOG, PL				
26	2	803-54	Chain, Idler RC60-1 x 34P				
27	12	112-31	HHCS 3/8-16 x 1.0 2B Gr8 Zn				
28	1	103-82	HHCS 3/8-16 x 1.5 Gr5 Zn				
29	4	112-61	C/Bolt 3/8-16 x 1.25 Gr5 Zn				
30		127-80	Link, Half - RC60 - 1 (opt.)				
31	2	606-47	Chain, RC60-1 x 96P (incl. Ref. 37)				
32	5x6	117-35	Nut, Wheel 7/16-20 Zn				
33	4	125-26	Valve, Tire				
34	6	125-13C	Rim - 8 x 7 - Charcoal				
35	6	127-158	Tire, Argo 24 x 10-8				
36	4	100-01	Pin, Cotter 1/8 x 1.50 Zn				
37	1x6	603-84	Con. Link, RC60-1 H.D.				

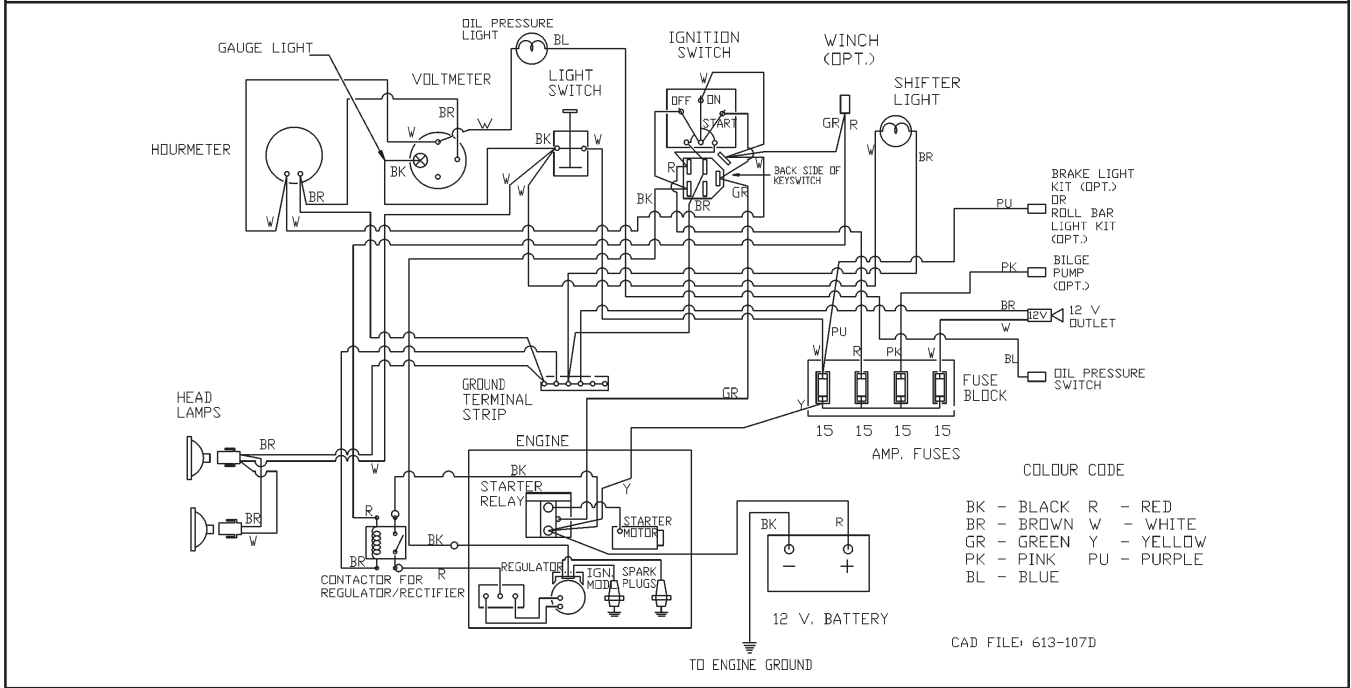
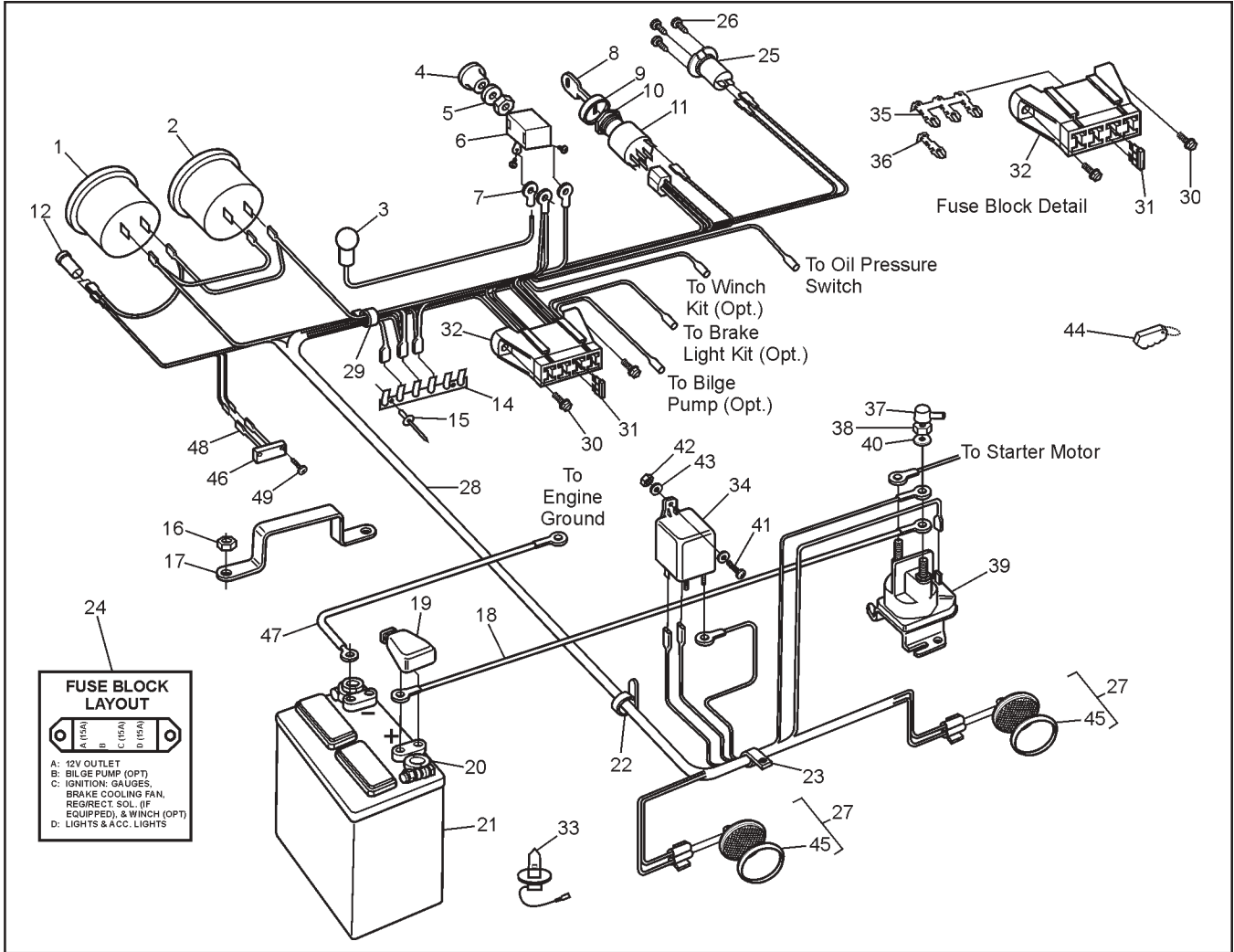


Frontier Parts Manual 9.0 Fuel System & Seat Assembly

Ref.	Qty.	Part #	Description
1	8	108-03	Lockwasher 1/4 Split Ring Zn
2	1	608-74	Frame Assembly, Seat
3	4	112-04	HHCS 1/4-20x3/4 Gr2 Zn
4	1	608-87	Pick-up, Fuel, 1/4" x 11.75"
5	1	608-59	Neck Assembly, Vented Filler
6	1	608-76	Frame Assembly, Backrest
7	1	608-39	Back pad Assembly
8	1	608-44	Tank, Fuel - Argo
9	2	103-77	HHCS, 1/4-28 X 2.0
10	2	117-01	Locknut, Nylon 1/4-28 Zn
11	1	608-54	Toolbox
12	1	127-54	See Section 10.0 Electrical System
13	1	608-55	Cover, Battery
14	1	608-45	Seat Assembly, Bench
15	2	608-81	Hinge, Seat, Bolted
16	2	104-43	Pin, 3/16" x 1-1/8"
17	4	702-06	Foam Cushion
18	1	608-56	Strap, Battery
19	15	120-09	Rivet 3/16x1 - Black
20	2	112-79	Clamp, Hose, 1/2" - Black
21	1	608-42	Hose, Fuel - 110"
22	8	120-04	Washer .19 x .50 x .08 Zn
23	2	100-12	Clamp, Gear 2.25" HF-36
24	1	125-94	Hose, Filler
25	10	112-07	RHMS 10-24x1.50 Zn
26	1	126-46	Cap, Fuel
27	1	127-21	Hose, Vent - 86"
28	1	126-50	Male Connector, 1/4"
29	6	126-94	Clamp, Nylon Wire - 1/4"ID
30	10	108-42	Washer .21x1.0x.06 Zn
31	10	117-10	Locknut, Nylon #10-24 Zn
32	1	117-54	Nut, Locking PAL 1/2-20 Zn
33	7	126-93	Clamp, Nylon Wire - 1/2"ID
34	2	120-15	Rivet, 1/8 x 7/16
35	1	126-11	Spring, Retaining
36	2	112-41	PHMS, Phil 1/4-20 x 1.25 Zn
37	4	103-03	PHMS, Phil 1/4-20 x 1.50 Zn
38	2	117-64	Insert, 1/4-20 Steel Cad Pltg.
39	4	120-13	Rivet, 3/16 x 5/8 Black
40	1	808-123	Plug, Nylon, 1/4 - NPT
41	2	120-31	Rivet, 3/16" x 1/4, Open End

10.0 Electrical System

Frontier Parts Manual



Ref.	Qty.	Part #	Description
1	1	632-15	Hourmeter #56458-10 (#876EM)
2	1	633-10	Voltmeter #07583-15 (#830EM)
3	2	634-10	Light Kit, #06215-00 5/8" dia.
4	1	126-76	Knob, Light
5	1	108-55	Lockwasher 7/16 Ext. Tooth
6	1	100-62	Switch, Light
7	1	118-30	Terminal, Eye - #10
8	2	127-108	Key, Molded
9	1	127-107	Cover, Nut
10	1	127-106	Nut, Flanged - Plastic
11	1	127-105	Switch - Ignition
12	1	634-08	Light, Indicator
14	1	613-37	Terminal Strip, Ground
15	2	120-15	Rivet 1/8 x 7/16
16	2	117-21	Locknut, Nylon 5/16-18 Zn
17	1	604-52	Bracket, Battery Retaining
18	1	613-94	Wire, Positive Battery
19	1	127-55	Cap, Battery Terminal - Red
20	2	127-56	Terminal, Battery Post
21	1	127-54	Battery, Exide 45-60
22	8	100-64	Tie Wrap - 5.5" - Black
23	6	126-93	Clamp, Nylon Wire - 1/2" ID
24	1	127-154	Label, Fuse Panel (located on Guard, Belt Protect - see pg. 7)
25	1	613-90	Outlet, 12 V DC
26	3	112-139	#4 Phil Drive Oval Head Screw, Black
27	2	613-92	Headlamp Ass'y - oval w/Bezel (incl. items 33 & 45)
28	1	613-97	Wire Harness
29	7	127-24	Clamp, Nylon - 1" ID
30	2	112-51	Screw, IHWH T/C #10-24 x 5/8
31	4	118-49	Fuse, 15 A 2-prong (AT015)
32	1	118-60	Block Fuse - 8 position (4 fuse)
33	2	127-46	Bulb, Headlight - Halogen
34	1	613-98	Relay, 80 Amp
35	1	118-63	Terminal, Fuse - Triple
36	5	118-62	Terminal, Fuse - Single
37	1	613-45	Insulator, Terminal (6 ga.)
38	2	117-20	Nut, Fin. Hex 1/4-20 Zn
39	1	613-68	Starter Relay
40	1	108-03	Lockwasher 1/4 Split Ring Zn
41	1	103-25	PHMS 10-24 x 3/4 Zn
42	1	117-10	Locknut, 10-24 N/I Zn
43	2	120-05	Washer .19 x .50 x .04 Zn.
44	1	681-00	FOB, Key - Floating
45	2	613-93	Bezel, Headlamp
46	1	613-99	Light, Shifter Illumination
47	1	613-95	Wire, Negative Battery
48	2	118-69	Terminal, 3/16 Male Blade 22 Ga
49	2	112-139	OHPS T/S #4 x 5/8 Black Zn

ARGO Products Manufactured by:

Ontario Drive & Gear Limited

220 Bergey Court
New Hamburg, Ontario
Canada N3A 2J5
Phone: (519) 662-2840
Fax: (519) 662-2421
www.argoatv.com

ODG *Dedicated to quality and performance*